



Performance Data Sheet
SQC™ Series
Models SQC2, SQC3, SQC4
Reverse Osmosis / Activated Carbon Drinking Water Appliance

System tested and certified by NSF International against ANSI/NSF Standard 58 and against ANSI/NSF Standard 42 for the reduction of the contaminants listed below.

The concentration of the indicated substances in water entering the system was reduced to a concentration less than or equal to the permissible limit for water leaving the system as specified in ANSI/NSF 58.

Contaminant Reduction Performance

| Contaminant | Average Influent | NSF specified influent challenge concentration** | Product Water | Average % Reduction | NSF Reduction Requirement | Max. Effluent | Min. % Reduction |
|--------------------------------------|------------------|--|---------------|---------------------|---------------------------|---------------|------------------|
| Cyst reduction | 149357 | Minimum 50,000 cysts/L | 5 /ml | 99.99 | 99.95% | 17/ml | 99.99 |
| Arsenic | 0.28 | 0.30 mg/L + 10% | 0.0035 | 98.7 | 0.025 | 0.0052 | 98.1 |
| Barium ¹ | 10.2 | 10 mg/L ± 10% | 0.207 | 97.9 | 2.00 | 0.3 | 97.1 |
| Cadmium ¹ | 0.036 | 0.03 mg/L ± 10% | 0.0005 | 98.6 | 0.005 | 0.0007 | 98.1 |
| Chromium, (Hex.) ¹ | 0.15 | 0.3 mg/L ± 10 % (added as hexavalent) | 0.013 | 91.3 | 0.1 | 0.03 | 80 |
| Chromium, (Tri.) ¹ | 0.17 | 0.3 mg/L ± 10 % (added as trivalent) | 0.01 | 94.1 | 0.1 | 0.01 | 94.1 |
| Copper | 3.1 | 3.0 mg/L ± 10% | 0.03 | 99.0 | 1.3 | 0.04 | 98.7 |
| Fluoride | 8.0 | 8.0 mg/L ± 10% | 0.5 | 93.9 | 1.5 | 0.7 | 91.2 |
| Lead | 0.15 | 0.15 mg/L ± 10% | 0.002 | 98.6 | 0.01 | 0.003 | 98 |
| Radium 226/228 ² pCi/L | 25 pCi/L | 25 pCi/L ± 10% | 5 pCi/L | 80 | 5 pCi/L | 5 pCi/L | 80 |
| Selenium | 0.1 | 0.10 mg/L ± 10% (added as 1/2 selenite and 1/2 selenate) | 0.008 | 92 | 0.05 | 0.011 | 89 |
| Chlorine | 1.9 | 2.0 mg/L ± 10% | 0.06 | 96.8 | ≥50 | N/A | N/A |
| Turbidity | 10 | 11 ± 1 NTU | 0.1 NTU | 98 | 0.5 NTU | 0.26 NTU | 97 |
| TDS | 758 | 750 ug/L ± 40 ug/L (added as sodium chloride) | 30 | 96 | 187 | N/A | N/A |
| Nitrate | 28.8 | 27.0 mg/L ± 10% NO ₃ | 4.3 | 84.5 | 10 mg/L | 6 | 79.2 |
| Nitrite | 2.8 | 3 mg/L ± 10% NO ₂ | 0.5 | 82.1 | 1 mg/L | 0.7 | 82.1 |

**Except as noted, units in each row are mg/L

Test Parameters: pH = 7.5 +/- 0.5. Flow = 0.6 gpm(2.3 lpm). Pressure = 50 psi(345kPa). Temp = 68° +/-5° F(20° +/-5°C). TDS = 200-500 mg/L². Turbidity = 1 NTU

1) Barium, Cadmium and Chromium were tested at 750 mg/L TDS.

2) The reduction of Radium was verified by using Barium as a surrogate under NSF protocol, therefore average percent rejection for Radium is <99%.

SQC™ Series Models SQC2, SQC3, SQC4

| Application Guidelines/Water Supply Parameters | | | |
|--|------------------------------|--------------------------------|--------------|
| Membrane Type | TFCM | Water Supply Parameters | |
| Water Supply, SQC3 and 4, chlorinated or non-chlorinated SQC2, non-chlorinated only | | Chemical | Limit |
| Water Pressure | 40 - 100 psi (276 - 690 kPa) | Hardness | <350 mg/L |
| Water Temperature (Cold water use only) | 40° - 100°F (4.4° - 38°C) | Iron | <0.1 mg/L |
| pH Range | 4.0 - 11.0 | Manganese | <0.05 mg/L |
| Maximum TDS Level | 2000 | Hydrogen Sulfide | 0 |
| | | Turbidity | <1 NTU |

System Production: 11 gal/day (41.6L/day)

| Components | |
|--|-----------------------------------|
| Sediment Prefilter: | 5 Micron Depth / Activated Carbon |
| Membrane Type: | Thin Film Composite (TFCM) |
| Carbon Postfilter: | Activated Carbon |
| Tank Capacity: | 2.22 gal max.(8.4 liters) |
| See parts diagram on other side for details. | |

| Caution |
|--|
| Do not use with water that is microbiologically unsafe or of unknown quality without adequate disinfection before or after the unit. Systems claiming cyst reduction may be used on disinfected waters that may contain filterable cysts. |

Note that while the testing was performed under standard laboratory conditions, actual performance may vary.

This system shall be used only for arsenic reduction on chlorinated water supplies containing detectable residual free chlorine at the system inlet.

It is essential that operational, maintenance and filter replacement requirements be carried out for this product to perform as advertised. Change carbon cartridges every 6 months. Flush new cartridge for 2 minutes.

Important Quality Assurance Requirements

These Reverse Osmosis Drinking Water Appliances contain treatment components that are critical for effective reduction of Total Dissolved Solids as well as inorganic contaminants. We strongly recommend that the user test the water a minimum of every 6 months to verify that the appliance is performing satisfactorily. A built in Percent Rejection (PR) water quality monitor is available* to provide the user with a means to test the water at any time, or your dealer may offer a semi-annual testing service.

* as an option at additional cost

SQC™ Series Models SQC2, SQC3, SQC4

Routine Maintenance

Sediment Prefilter and Carbon Postfilter:

Change at a minimum of six months depending on feed water quality.

Membrane: Change as required based on periodic TDS rejection tests or an on-site monitor (PR). The maximum recommended service life is 36 months. If a Percent Rejection (PR) Monitor is not used, then your dealer may offer a semi-annual testing service.

Warranty

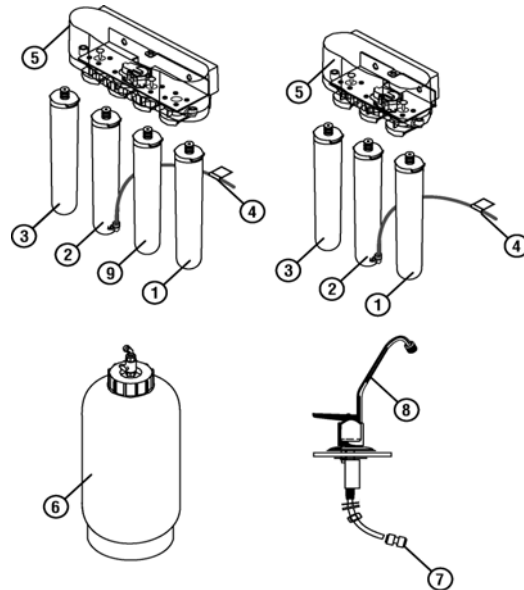
Entire System: **10 years**

R. O. Membrane: **2 years**
Service life of membrane varies with local water conditions.

Parts List

- 1) Sediment Prefilter 47-55702G2 (SQC2, SQC4)
- 1) Sediment/Carbon Prefilter 47-55706G2 (SQC3, only)
- 2) TFCM HF Membrane 66-4706G2
- 3) Carbon Postfilter 47-55710G2
- 4) SFC HF Flow Control 52-318212
- 5) Shroud 3 head 85-1650
Shroud 4 head 85-1651
- 6) Storage Tank 52-35138
- 7) Faucet adapter 74-3310404
- 8) Faucet 69-11155
- 9) Carbon prefilter 47-55704G2 (SQC4 only)
Faucet % Rejection Monitor
(Optional/not shown) 28-251003

Parts Diagram



These systems are acceptable for treatment of influent concentrations of no more than 27 mg/L nitrate and 3 mg/L nitrite in combination measured as N and is certified for nitrate/nitrite reduction only for water supplies with a pressure of 280 kPa (40 psig) or greater.

California residents: Please visit the CUNO web site to obtain prices of replacement parts.

Parts and service available from



CUNO Incorporated
400 Research Parkway
Meriden, CT 06450, USA
Toll Free: 1-800-733-1199
Worldwide: 203-237-5541
Fax: 203-238-8701

Seller: _____ Buyer: _____