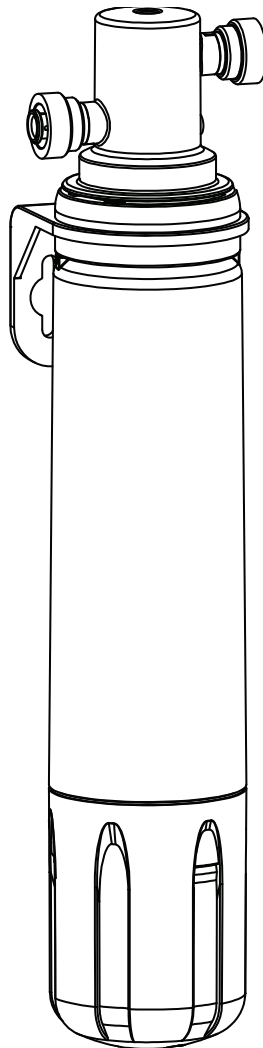


Aqua-Pure[®]

Installation and Operating Instructions For
AP Easy Series
Drinking Water Systems
Models: CS-S, LC & Complete



Installer: Please leave manual with homeowner.

3M



SAFETY INFORMATION

Read, understand, and follow all safety information contained in these instructions prior to installation and use of the Drinking Water System. Retain these instructions for future reference.

Intended use:

The Drinking Water System is intended for use in filtering potable water in residential applications, and has not been evaluated for other uses. The system is typically installed under a sink, and must be installed as specified in the installation instructions by a qualified professional.

EXPLANATION OF SIGNAL WORD CONSEQUENCES

 WARNING	Indicates a potentially hazardous situation, which, if not avoided, could result in death or serious injury and/or property damage.
 CAUTION	Indicates a potentially hazardous situation which, if not avoided, may result in minor or moderate injury and/or property damage.
CAUTION	Indicates a potentially hazardous situation, which, if not avoided, may result in property damage.

WARNING

To reduce the risk associated with the ingestion of contaminants:

- **Do not use with water that is microbiologically unsafe or of unknown quality without adequate disinfection before or after the system.** Systems certified for cyst reduction may be used on disinfected water that may contain filterable cysts.
EPA Establishment #070595-CT-001

To reduce the risk associated with hazardous voltage:

- If the home electrical system requires use of the cold water system as an electrical safety ground, a jumper must be used to ensure a sufficient ground connection across the system installation piping — refer installation to qualified personnel.

To reduce the risk associated with choking:

- **Do not** allow children under 3 years of age to have access to small parts during the installation of this product.

To reduce the risk associated with hazardous voltage due to an installer drilling through existing electric or water pipes in the area of installation:

- **Do not** install near electric wiring or piping which may be in path of a drilling tool when selecting the position to mount the system bracket.

To reduce the risk of physical injury:

- Shut off inlet water supply and depressurize system as shown in manual prior to cartridge removal.

CAUTION

To reduce the risk of eye injury while drilling counter-tops for faucet installation:

- Safety glasses **MUST** be worn during sink hole drilling operations.

CAUTION

To reduce the risk associated with property damage due to water leakage:

- **Read and follow** Use Instructions before installation and use of this system.
- Installation and use **MUST** comply with all state and local plumbing codes.
- **Protect from freezing**, remove filter cartridge when temperatures are expected to drop below 40° F (4.4° C).
- **Do not** install systems in areas where ambient temperatures may go above 110° F (43.3° C).
- **Do not install on hot water supply lines.** The maximum operating water temperature of this system is 100°F (37.8°C).
- **Do not** install if water pressure exceeds 120 psi (827 kPa). If your water pressure exceeds 80 psi (552 kPa), you must install a pressure limiting valve. Contact a plumbing professional if you are uncertain how to check your water pressure.
- **Do not install** where water hammer conditions may occur. If water hammer conditions exist you must install a water hammer arrester. Contact a plumbing professional if you are uncertain how to check for this condition.
- Where a backflow prevention device is installed on a water system, a device for controlling pressure due to thermal expansion must be installed.
- **Do not** use a torch or other high temperature sources near system, cartridges, plastic fittings or plastic plumbing.
- On plastic fittings, never use pipe sealant or pipe dope. Use PTFE thread tape **only**, pipe dope properties may deteriorate plastic.
- Take care when using pliers or pipe wrenches to tighten plastic fittings, as damage may occur if over tightening occurs.
- **Do not install** in direct sunlight or outdoors.
- **Do not install** near water pipes which will be in path of a drilling tool when selecting the position to mount the bracket.
- Mount system in such a position as to prevent it from being struck by other items used in the area of installation.
- Ensure that the location and fasteners will support the weight of the system when installed and full of water.
- Ensure all tubing and fittings are secure and free of leaks.
- **Do not install** unit if collet is missing. Contact 1-866-990-9785 if collets are missing from any fittings.
- SHUT OFF FUEL OR ELECTRIC POWER SUPPLY TO WATER HEATER after water is shut off.
- The disposable filter cartridge **MUST** be replaced every six (6) months, at the rated capacity or sooner if a noticeable reduction in flow rate occurs.

IMPORTANT NOTES

- Failure to follow instructions will void warranty.
- Allow a minimum of 2" (5 cm) clear space under filter to facilitate cartridge change.
- Install with the inlet and outlet ports as labeled. Make sure not to reverse connections.

GETTING STARTED

Parts and Materials Included:

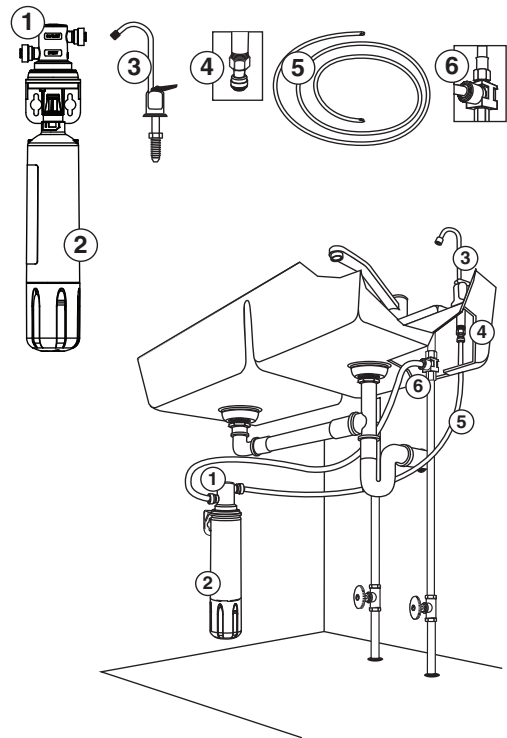
1. Filter Head Assembly
2. Filter Cartridge
3. Faucet
4. 1/4" Union Adapter
5. 36" of 1/4" tubing
6. 1/4" Feedwater Adapter
7. #2 Phillips Mounting Screws

Tools Required (not included):

- Drill (Cordless recommended)
- Adjustable wrench
- Phillips head screwdriver
- Razor knife or tube cutter

If a faucet hole needs to be drilled for faucet:

- Center punch
- File or grinding wheel
- 9/16" Drill bit (suitable for countertop materials or cast iron/stainless steel sink)



FILTER REPLACEMENT

CAUTION

To reduce the risk associated with property damage due to water leakage:

- The disposable filter cartridge **MUST** be replaced every six (6) months, at the rated capacity or sooner if a noticeable reduction in flow rate occurs.

INSTALLATION INSTRUCTIONS

For Use With Cold Water Only.

NOTE: Remove items from under the sink. Place catch basin there to collect small amount of water that may run out when disconnecting water supply lines.

1. Turn off cold water supply valve and remove existing water supply tubing and/or fitting.
2. Select and mark a location under the sink that allows access for filter change.
3. Using filter head/bracket as a guide, fasten Filter Head Assembly to wall with #2 Phillips mounting screws supplied.

Mark hole locations so that there is 1 1/2" between the screws (see Figure 1), from center of each screw. When installed, filter bottom should be at least 2 1/2" from sink cabinet floor to facilitate cartridge change. Install screws, but only halfway, so you can easily slip the bracket to wall before firmly setting screws.

4. Determine length of tubing required from filter head/bracket to faucet and from water supply line to filter head/bracket by holding tubing in place ensuring it is of appropriate length. Do not kink tubing as this will impede water flow. If necessary, loop tubing around to avoid it being kinked.

Cut tubing straight with a utility knife. (See Figure 2).

5. Locate the cold water stem on the underside of the faucet fixture. Unscrew the cold water feed tube from the faucet stem. Locate the 1/4" Feedwater Adapter that came with your Drinking Water System. Insert the black gasket into the threaded adapter and tighten onto the Faucet Cold Water Stem under the sink, making sure that 1/4" fitting is accessible and not facing the wall. Make sure not to over tighten.

Take the Cold Water Feed Tube and attach to the Faucet Adapter, making sure not to over tighten.

Locate the 1/4" Blue Tubing and insert into the 1/4" Faucet Adapter (Figure 3). See "Using Push-In Fittings."

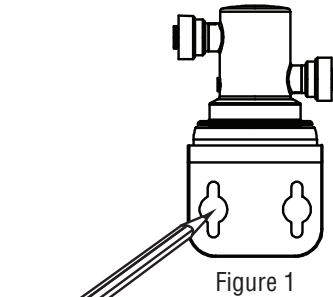


Figure 1



Figure 2

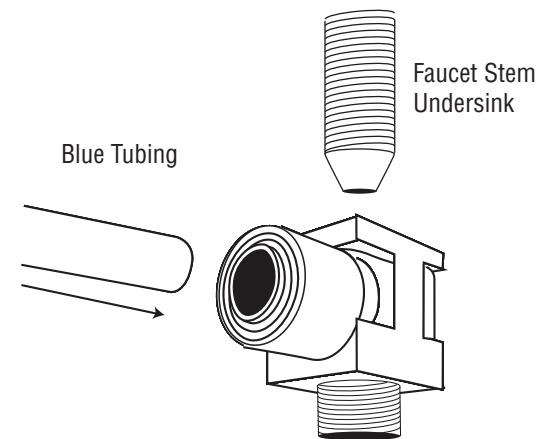


Figure 3

Using Push-In Fittings

To Attach Tubing

Push tubing in as far as it will go. Tubing must be inserted past o-ring and hit backstop. Pull tube to ensure it is secured.

To Release Tubing

Push in grey collet to release tubing. With collet held, pull tubing straight out.

CAUTION

To reduce the risk associated with property damage due to water leakage:

- Ensure all tubing and fittings are secure and free of leaks.



INSTALLATION INSTRUCTIONS (CONTINUED)

- Referring to the "Using Push-In Fittings" section, insert the blue tubing coming from the 1/4" Feed Water Adapter into the INLET fitting as shown in Figure 4.
- After installing the faucet as detailed below, insert blue tubing to faucet into OUTLET fittings, as shown in Figure 4.
- Align tabs of filter cartridge with head assembly and insert filter cartridge into head assembly. Turn filter cartridge counter clockwise until it stops (about 1/4 turn). The filter is now installed. (See Figure 4).
- Turn water supply back on from the shutoff valve on cold water line. This will pressurize the filter system and begin sending filtered water to the faucet. Look for leaks. **If leaks occur, see Troubleshooting Guide. Flush the filter for four (4) gallons (approx. 5 minutes) to remove any trapped air.**

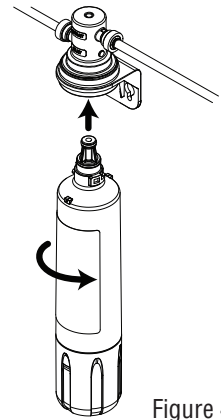


Figure 4

DRINKING WATER FAUCET INSTALLATION

⚠ CAUTION

To reduce the risk of eye injury while drilling counter-tops for faucet installation:

- Safety glasses **MUST** be worn during sink hole drilling operations.

IMPORTANT NOTES

- The drinking water system faucet should be located on a flat surface, conveniently located near the sink, so that it empties into the sink. Most sinks have pre-drilled holes designated for sprayers, soap dispensers, and other accessories. If your sink does not have an extra hole, then a 9/16" diameter hole must be drilled.
- Porcelain, enamel, and ceramic sinks require special procedures for drilling holes. **See next page for special instructions.**

Drilling 9/16" diameter hole through countertop or stainless steel sink:

- Locate area to be drilled. Mark center of hole with center punch.
- Drill hole with 9/16" drill bit suitable for countertop materials or cast iron/stainless steel.
- With grinding wheel or file, smooth out any rough edges.

Installing the faucet:

- Slide the following parts in the order specified up blue tubing and threaded brass stem:
 - Plastic bezel
 - Large rubber washer
- Next, feed blue tubing and faucet stem down through faucet mounting hole.
- From underneath sink, assemble the black spacer, star washer, and hex nut (as shown) onto the threaded brass stem and tighten by hand.
- With a padded adjustable wrench, turn the faucet base (above the counter) to the right to securely fasten. Remove piece of plastic tubing from base.
- Insert faucet neck onto base until seated and align over sink.

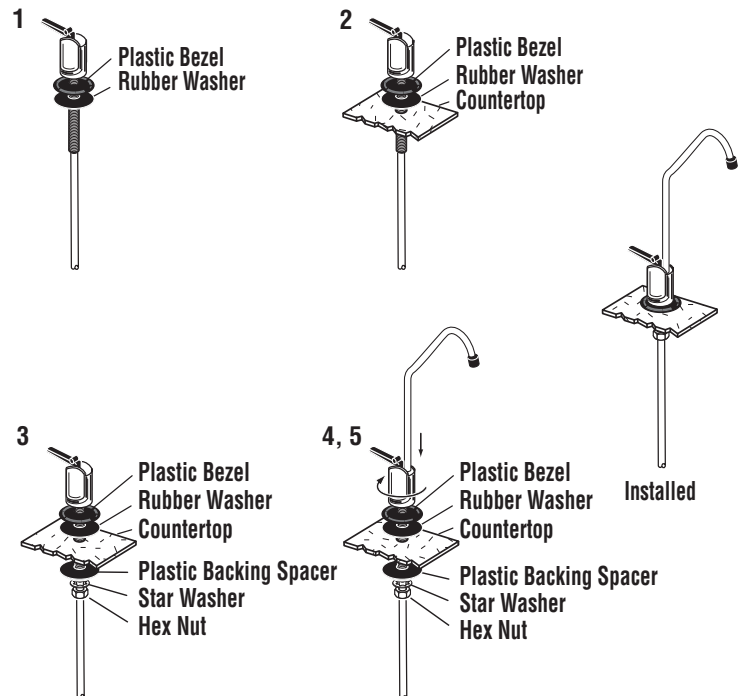


Figure 5

DRILLING HOLE THROUGH PORCELAIN/ENAMEL/CERAMIC SINKS

CAUTION

To reduce the risk of eye injury while drilling counter-tops for faucet installation:

- Safety glasses **MUST** be worn during sink hole drilling operations.

Drilling Hole through Porcelain/Enamel/Ceramic Sinks with Sheet Metal or Case Iron Base

Recommended Tools:

- Variable Speed Drill
- Porcelain Cutter Tool Set (9/16" Size)
- Plumber's Putty

Note: It is important to understand this procedure.

1. The glassy layer of porcelain/enamel/ceramic must be scored through to the metal base, creating a disk.
2. This disk must be removed while protecting the surrounding decorative coating against chipping or fracturing.
3. The base metal must be drilled through to complete the hole.

Procedure:

1. Mark center for 9/16" hole.
2. Form a dam of shallow putty around hole location and fill with enough water to lubricate carbide drill bit.
3. Carefully drill pilot hole through porcelain/enamel/ceramic and base metal using a carbide pilot drill. Always operate drill with light pressure at slow speed (300 - 400 rpm).
4. Drill porcelain/enamel/ceramic using special 9/16" cutting tool, making certain a complete ring has been cut through to the sink's metal base.
5. Change to metal cutting drill bit and drill out the center of the ring, making sure not to contact other rim of decorative coating. Cut through metal sink base.

FILTER CARTRIDGE REPLACEMENT INSTRUCTIONS

CAUTION

To reduce the risk associated with property damage due to water leakage:

- The disposable filter cartridge **MUST** be replaced every six (6) months, at the rated capacity or sooner if a noticeable reduction in flow rate occurs.

1. Grasp cartridge and turn to the left (counterclockwise) until cartridge comes to a complete stop. Gently pull downward to remove.
2. Ensure that o-rings are present on the cartridge and are seated into grooves; moisten o-rings with water. DO NOT use any petroleum products to lubricate the o-rings.
3. Align tabs of new filter cartridge with existing filter head and insert new filter cartridge into head. Turn cartridge to the right (clockwise) until cartridge stops.
4. Open the inlet shut-off valve and flush new cartridge for four (4) gallons (approximately 5 minutes).

TROUBLESHOOTING GUIDE

Water Leaks at Push-In Connections:

Push tubing in as far as it will go. If leaking continues, shut off water at the original valve and remove water line by pushing in on the connector collar while pulling the tubing away. Inspect tubing for cracks and scratches. If tubing is cracked or scratched, simply cut that portion away and reinsert tubing into push-in fitting.

Make sure tubing is cut straight. If not, recut.

If water leaks, please verify that the o-ring is properly seated in its groove.

Water Does Not Flow From The Drinking Water System Faucet:

Check to see if the main water line valve is open, allowing water to flow to the filter.

Water Appears Cloudy or Air Comes Out of the Drinking Water System Faucet:

Flush the filter for four (4) gallons (approx. 5 minutes) to remove any trapped air.



INFORMACIÓN DE SEGURIDAD

Lea, comprenda y siga toda la información de seguridad contenida en estas instrucciones antes de instalar y usar los sistemas de agua potable. Conserve estas instrucciones como referencia para el futuro.

Uso para el que fue diseñada:

El sistema de agua potable está hecho para usarse en agua potable filtrada en aplicaciones residenciales y no ha sido evaluado su uso en cualquier aplicación diferente. El sistema generalmente se instala en debajo del fregadero y debe instalarlo un profesional calificado siguiendo las instrucciones de instalación.

EXPLICACIÓN DE LAS CONSECUENCIAS DE LOS SIGUIENTES AVISOS

 ADVERTENCIA	Indica una situación potencialmente peligrosa, que, de no evitarse, podría causar la muerte o lesiones graves y/o daños a la propiedad.
 PRECAUCIÓN	Indica una situación potencialmente peligrosa, que, de no evitarse, puede causar lesiones menores o moderadas y/o daños a la propiedad.
PRECAUCIÓN	Indica una situación potencialmente peligrosa, que, de no evitarse, puede causar daños a la propiedad.

ADVERTENCIA

Para reducir el riesgo asociado con la ingestión de contaminantes:

- **No lo utilice con agua que sea microbiológicamente insegura o de calidad desconocida sin la desinfección adecuada previa o posterior al sistema.** Los sistemas certificados para la reducción de quistes pueden usarse con agua desinfectada que podría contener quistes filtrables. N.º de establecimiento de la EPA 070595-CT-001.

Para reducir el riesgo asociado a voltajes peligrosos:

- Si el sistema eléctrico doméstico necesita usar el sistema de agua fría como una conexión a tierra de seguridad, se debe usar un jumper para garantizar que haya suficiente conexión a tierra alrededor de la tubería de la instalación del filtro, busque personal calificado para hacer la instalación.

Para reducir el riesgo asociado a la asfixia:

- **No** permita que los niños menores a 3 años tengan acceso a piezas pequeñas durante la instalación de este producto.

Para reducir el riesgo asociado a voltajes peligrosos debido a que un instalador perforó una instalación eléctrica existente o un tubo de agua en el área de instalación:

- **No** instale cerca de las instalaciones eléctricas o de las tuberías de agua, las cual pueden quedar en medio de la herramienta de perforación cuando se selecciona el lugar donde se va a instalar el soporte del filtro.

Para reducir el riesgo asociado a lesiones físicas:

- Antes de remover el cartucho, cierre la llave de suministro de agua y quite la presión del sistema como se muestra en el manual.

PRECAUCIÓN

A fin de reducir el riesgo de lesión ocular mientras perfora las encimeras para la instalación del grifo:

- **DEBE** utilizar gafas de protección durante las operaciones de perforación del sumidero.

PRECAUCIÓN

Para reducir el riesgo asociado a los daños en la propiedad debido a una fuga de agua:

- **Lea y siga las** Instrucciones de uso antes de la instalación y uso de este sistema.
- La instalación y uso **DEBE** cumplir con todos los códigos de plomería locales y estatales.
- **Protección contra congelamiento**, quite el cartucho del filtro cuando se espera que las temperaturas estén por debajo de los 40° F (4.4° C).
- **No** instale sistemas en áreas donde la temperatura ambiental puede estar por encima de los 110° F (43.3° C).
- **No instale sobre tuberías de suministro de agua.** La máxima temperatura del agua para el correcto funcionamiento de este sistema de filtro es 100°F (37.8°C).
- **No** instale si la presión de agua excede los 120 psi (827 kPa). Si su presión de agua excede los 80 psi (552 kPa), puede instalar una válvula de presión. Póngase en contacto con un plomero profesional si no está seguro sobre cómo medir su presión de agua.
- **No instale** en lugares en donde pueda ocurrir un martilleo de agua. Si existe martilleo de agua, debe instalar un protector contra martilleo de agua. Póngase en contacto con un plomero profesional si no está seguro sobre cómo verificar si existe este problema.
- En lugares en los que hay una válvula de contraflujo instalada en el sistema de agua, se debe instalar una válvula para control de presión debido a la dilatación térmica.
- **No** use soplete ni otra fuente de alta temperatura cerca del sistema de filtros, cartuchos o acoples y tuberías de plástico.
- En los acoples plásticos, nunca utilice sellador o pegamento para tuberías. **Sólo** utilice cinta de teflón de PTFE, las propiedades del pegamento pueden destruir el plástico.
- Tenga cuidado al usar pinzas o llaves inglesas para ajustar los acoples de plástico; puede dañarse si se aprieta demasiado.
- **No instale** donde le dé el sol directamente o en exteriores.
- **No instale** cerca de las tuberías de agua, las cual puede pueden quedar en medio de la herramienta de perforación cuando se selecciona el lugar donde se va a instalar el soporte del filtro.
- Instale sistema en una posición tal que se evite ser golpeado por otros objetos usados en el área de instalación.
- Asegúrese de que el lugar y las fijaciones aguantarán el peso del sistema cuando esté instalado y lleno de agua.
- Vea de que todas las tuberías y acoples estén seguros y sin fugas.
- **No instale** la unidad si falta la mordaza. Si falta la mordaza de algún acople, póngase en contacto con 1-866-990-9785.
- **CIERRE EL SUMINISTRO DE COMBUSTIBLE O DE ENERGÍA ELÉCTRICA PARA EL CALENTADOR DE AGUA** después de cerrar el suministro de agua.

NOTIFICACIÓN IMPORTANTE

- No observar las instrucciones podría cancelar la garantía.
- Deje un espacio libre mínimo de 5 cm (2") debajo del filtro para facilitar el cambio del cartucho.
- Instálelo con los puertos de entrada y salida como se indican. Asegúrese de no invertir las conexiones.

INICIACIÓN

Las piezas y materiales incluyen:

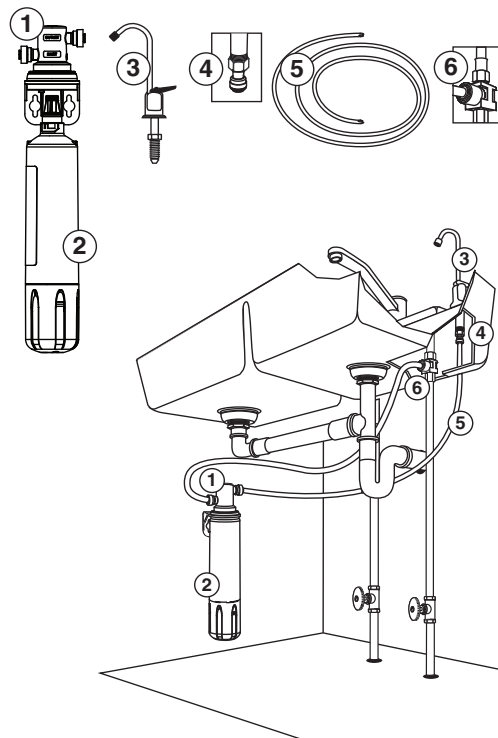
1. Ensamblaje del cabezal del filtro
2. Cartucho del filtro
3. Grifo
4. Adaptador de unión de 1/4 de pulgada
5. 36 pulgadas de tubería de 1/4 de pulgada
6. Adaptador de entrada del agua de 1/4 de pulgada
7. Tornillos de montaje Phillips nº2

Herramientas requeridas (no se incluyen):

- Taladro eléctrico (se recomienda uno inalámbrico)
- Llave ajustable
- Destornillador con cabeza Phillips
- Cuchillo o cortador de tubería

Si se necesita perforar un agujero para el grifo:

- Punzón
- Lima o rueda amoladora
- Broca de 9/16 pulgadas (para uso con el material de la mesada o acero inoxidable o hierro fundido)



CÓMO CAMBIAR EL FILTRO

PRECAUCIÓN

Para reducir el riesgo asociado a los daños en la propiedad debido a una fuga de agua:

- El cartucho desechable del filtro **DEBE** reemplazarse cada 6 meses, en su capacidad máxima o antes si hay una reducción en el caudal del flujo.

INSTRUCCIONES DE INSTALACIÓN

Para uso con agua fría solamente.

NOTA: Saque los elementos de abajo del fregadero. Ponga un recipiente para recolectar las pequeñas cantidades de agua que podrán salir cuando desconecte las líneas de suministro de agua.

1. Cierre la válvula de entrada de agua fría y saque el tubo de suministro de agua existente y/o el accesorio.
2. Seleccione y marque un lugar debajo del fregadero que permite el acceso para cambiar el filtro.
3. Usando el soporte/cabezal del filtro como guía, sujete el Ensamblaje del cabezal del filtro a la pared con los tornillos de montaje Phillips n.o 2 suministrados.

Marque el lugar de los agujeros de manera tal que haya un espacio de 1 pulgada y media entre los tornillos (vea la Figura 1) desde el centro de cada tornillo. Cuando lo haya instalado, el fondo del filtro deberá estar por lo menos a 2 pulgadas y media del piso del gabinete del fregadero para facilitar el cambio del cartucho. Instale los tornillos, pero solamente hasta la mitad, de manera que pueda fácilmente poner el soporte contra la pared antes de ajustar firmemente los tornillos.

4. Determine la longitud de tubería requerida desde el soporte/ cabezal del filtro hasta el grifo y desde la línea de suministro de agua hasta el soporte/cabezal del filtro manteniendo la tubería en su lugar y de esta manera asegurar que tiene la longitud necesaria. No tuerza la tubería ya que esto impedirá el flujo de agua. De ser necesario, pase la tubería por los costados para evitar que se doble.

Corte la tubería verticalmente con un cuchillo. (Vea la Figura 2).

5. Ubique el vástago del agua fría en la parte de abajo del grifo. Destornille el tubo de suministro del agua frío del vástago del grifo. Ubique el adaptador de entrada del agua de 1/4 de pulgada que vino con su sistema de agua potable. Inserte la junta negra en el adaptador con rosca y ajústela al vástago del agua fría del grifo debajo del fregadero, asegurándose de que el accesorio de 1/4" de pulgada esté accesible y no mire hacia la pared. Asegúrese de no apretarlas demasiado.

Tome la tubería de suministro del agua fría y conéctelo al adaptador del grifo, asegurándose de no apretarlo demasiado.

Ubique el tubo azul de 1/4 de pulgada e insértelo en el adaptador del grifo de 1/4 de pulgada (Figura 3). Vea "Uso de los accesorios a presión."

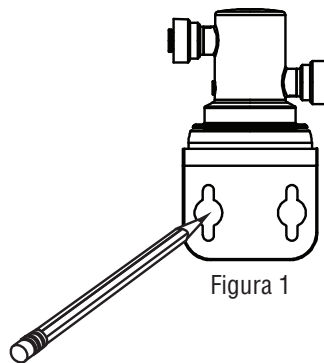


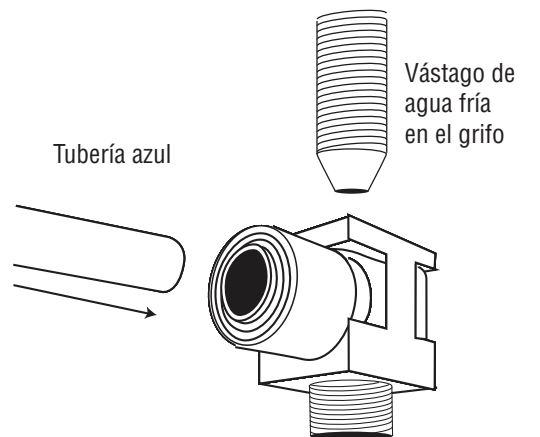
Figura 1



Correcto

Incorrecto

Figura 2



Vástago de agua fría en el grifo

Tubería azul

Tubo de suministro del agua fría

Figura 3

Uso de los accesorios a presión

Para conectar la tubería

Empuje la tubería todo lo posible. La tubería debe pasar la junta tórica y llegar hasta el tope trasero. Tire del tubo para verificar que está seguro.

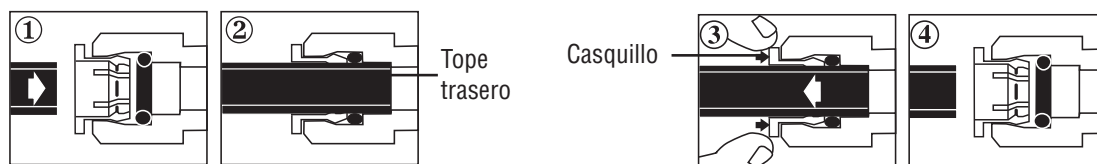
Para liberar la tubería

Empuje el casquillo gris para liberar la tubería. Mientras agarra la portapieza, tire la tubería hacia fuera.

PRECAUCIÓN

Para reducir el riesgo asociado a los daños en la propiedad debido a una fuga de agua:

- Vea de que todas las tuberías y acoples estén seguros y sin fugas.



INSTRUCCIONES DE INSTALACIÓN (CONTINUACIÓN)

- Usando la sección "Uso de los accesorios a presión" como referencia, inserte la tubería azul que sale del adaptador de suministro del agua de 1/4 de pulgada en el accesorio de ENTRADA como se indica en la Figura 4.
- Luego de instalar el grifo como se indica a continuación, inserte la tubería azul que va hacia el grifo en el accesorio de SALIDA como se indica en la Figura 4.
- Alinee las lengüetas del cartucho del filtro con el ensamblaje del cabezal e inserte el cartucho del filtro en el ensamblaje del cabezal. Gire el cartucho del filtro en el sentido contrario a las agujas del reloj hasta que se detenga (cerca de 1/4 de vuelta). El filtro está instalado. (Vea la Figura 4).
- Abra el suministro de agua de la válvula de paso de la línea de agua fría. Esto presurizará el sistema de filtrado y comenzará a enviar agua filtrada hacia el grifo. Verifique que no haya pérdidas. Si hay alguna pérdida, vea la Guía de desperfectos. **Descargue 4 galones a través del sistema antes de utilizarlo (aproximadamente 5 minutos) para eliminar el aire atrapado.**

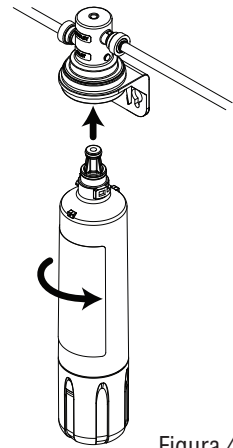


Figura 4

INSTALACIÓN DEL GRIFO DEL AGUA POTABLE

⚠ PRECAUCIÓN

A fin de reducir el riesgo de lesión ocular mientras perfora las encimeras para la instalación del grifo:

- DEBE** utilizar gafas de protección durante las operaciones de perforación del sumidero.

NOTIFICACIÓN IMPORTANTE

- El grifo del sistema de agua potable debe instalarse en una superficie plana, ubicada cómodamente cerca del fregadero para que desagote en el fregadero. La mayoría de los fregaderos tienen agujeros previamente perforados para rociadores, dispensadores de jabón y otros accesorios. Si su fregadero no tiene un agujero adicional, se debe perforar un agujero adicional de 9/16 pulgadas de diámetro.
- Los fregaderos de cerámica, esmalte o porcelana requieren procedimientos especiales para perforar los agujeros. **Vea las instrucciones especiales en la página que sigue.**

Perforación de un agujero de 9/16 de pulgada de diámetro a través de mesadas o fregaderos de acero inoxidable:

- Ubique el lugar donde va a perforar. Marque el centro del agujero con el punzón.
- Perfore un agujero con la broca de 9/16 de pulgada para uso con materiales de mesadas o acero inoxidable o hierro fundido.
- Con la rueda amoladora o lima, elimine las asperezas de los bordes.

Instalación del grifo

- Deslice las siguientes piezas en el orden indicado por la tubería azul y vástago de bronce con rosca:
 - Bisel de plástico
 - Arandela grande de goma
- Luego, pase la tubería azul y el vástago del grifo a través del agujero de montaje del grifo.
- Desde abajo del fregadero, arme el espaciador negro, arandela estrella y tuerca hexagonal (como se indica) sobre el vástago de bronce con rosca y ajústelo con la mano.
- Con una llave ajustable acolchada, gire la base del grifo (arriba de la mesada) hacia la derecha para ajustarlo. Saque el pedazo de tubería de plástico de la base.
- Inserte el cuello del grifo en la base hasta que esté asentado y alineado sobre el fregadero.

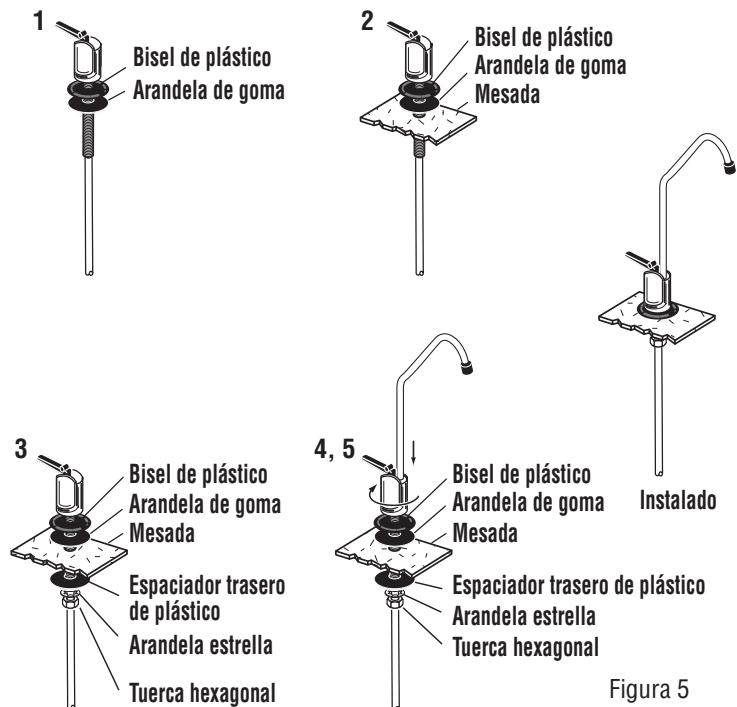


Figura 5

PERFORACIÓN DE UN AGUJERO ATRAVÉS DE FREGADEROS DE CERÁMICA/ ESMALTE / PORCELANA

⚠ PRECAUCIÓN

- A fin de reducir el riesgo de lesión ocular mientras perfora las encimeras para la instalación del grifo:**
- **DEBE** utilizar gafas de protección durante las operaciones de perforación del sumidero.

Perforar un agujero en fregaderos de porcelana / esmalte / cerámica con una base de metal o hierro fundido

Herramientas recomendadas:

- Taladro de velocidad variable
- Juego de herramientas para cortar porcelana (tamaño 9/16 de pulgada)
- Masilla para plomería

Nota: importante entender lo que ocurre durante este procedimiento.

1. La capa brillante de porcelana / esmalte / cerámica debe penetrarse hasta la base de metal, creando un disco.
2. Se debe sacar este disco mientras se protege el revestimiento de decoración circundante contra las rajaduras o fracturas.
3. Se debe perforar el metal de la base totalmente para completar el agujero.

Procedimiento:

1. Marque el centro para el agujero de 9/16 de pulgada.
2. Forme un dique poco profundo de masilla alrededor del área del agujero y llénelo con suficiente agua para lubricar la broca de carburo.
3. Perfore el agujero piloto cuidadosamente a través de la porcelana / esmalte / cerámica y el metal de la base usando una broca piloto de carburo. Use siempre el taladro con presión leve a baja velocidad (300 a 400 rpm).
4. Perfore la porcelana / esmalte / cerámica usando el cortador especial de 9/16 de pulgada, asegurándose que se ha cortado un anillo completo a través de la porcelana / esmalte / cerámica hasta la base de metal.
5. Cambie al cortador de metal y corte el disco interior del metal de la base, asegurándose que el cortador no toque el borde exterior del revestimiento de decoración. Corte la base de metal del fregadero.

INSTRUCCIONES PARA CAMBIAR EL CARTUCHO DEL FILTRO

PRECAUCIÓN

Para reducir el riesgo asociado a los daños en la propiedad debido a una fuga de agua:

- El cartucho desechable del filtro **DEBE** reemplazarse cada 6 meses, en su capacidad máxima o antes si hay una reducción en el caudal del flujo.

1. Agarre el cartucho y gírelo hacia la izquierda (contrario a las agujas del reloj) hasta que el cartucho se detenga completamente (el agua se corta automáticamente). Tire suavemente el cartucho hacia abajo para sacarlo.
2. Asegúrese que las juntas tóricas estén instaladas en el cartucho y asentadas en las ranuras, humidézcalos con agua. NO use productos con petróleo para lubricar las juntas tóricas.
3. Alinee las lengüetas del nuevo cartucho del filtro con el cabezal del filtro existente e inserte el nuevo cartucho en el cabezal. Gire el cartucho hacia la derecha (en el sentido de las agujas del reloj) hasta que se detenga.
4. Abra la válvula de cierre de entrada y descargue 4 galones a través del sistema antes de utilizarlo (aproximadamente 5 minutos).

GUÍA DE DESPERFECTOS

Pérdidas de agua en las conexiones a presión:

Empuje la tubería todo lo posible. Si continúa saliendo agua, corte el agua en la válvula original y saque la línea del agua empujándola en el cuello del conector mientras saca la tubería. Inspeccione la tubería para ver si está rajada o perforada. Si la tubería está rajada o perforada, simplemente corte dicha parte y vuelva a insertar la tubería en el accesorio a presión.

Asegúrese de que el corte de la tubería sea recto. Caso contrario, vuelva a cortarlo.

Si hay una fuga de agua, verifique que la junta tórica esté debidamente colocada en su ranura.

No sale agua del grifo del sistema de agua potable:

Verifique para ver si la válvula principal de la línea de agua está abierta, permitiendo que llegue agua al filtro.

El agua parece turbia o sale aire del grifo del sistema de agua potable:

Descargue 4 galones a través del sistema antes de utilizarlo (aproximadamente 5 minutos) para eliminar el aire atrapado.



CONSIGNES DE SÉCURITÉ

Lisez, comprenez et suivez les consignes de sécurité contenues dans ce manuel d'instructions avant d'installer et d'utiliser ce système d'eau potable. Veuillez conserver ces directives aux fins de référence.

Utilisation prévue:

Ce système d'eau potable est conçu pour être utilisé avec un système de filtration d'eau potable pour applications résidentielles, et n'a pas été évalué pour d'autres utilisations.

L'installation type de ce système se situe au sous un évier et doit être installé comme précisé aux instructions d'installation par un technicien qualifié.

EXPLICATION DES CONSÉQUENCES DES MOTS-INDICATEURS	
 MISE DE GARDE	Indique une situation potentiellement dangereuse qui, si elle n'est pas évitée, pourrait entraîner la mort ou des blessures graves et / ou des dommages matériels.
 AVERTISSEMENT	Indique une situation qui présente des dangers qui, s'ils ne sont pas évités, peuvent causer des blessures ou des dommages matériels mineurs ou moyens.
AVERTISSEMENT	Indique une situation qui présente des dangers qui, s'ils ne sont pas évités, peuvent causer des dommages matériels.

MISE DE GARDE

Mesures pour réduire les risques associés à l'inhalation de contaminants :

- **Ne pas utiliser avec de l'eau présentant des dangers de contamination microbiologique ou de qualité inconnue sans la désinfecter adéquatement en aval ou en amont du système.** Les systèmes homologués pour une réduction microbienne peuvent être utilisés avec des eaux désinfectées qui peuvent renfermer des microbes filtrables. Établissement EPA no 070595-CT-001.

Prévention des risques associés à la tension électrique :

- Si le système électrique résidentiel nécessite l'utilisation d'un système d'eau froide pour une mise à la terre de sécurité électrique, une bretelle peut être utilisée afin de réaliser une connexion suffisante pour toute l'installation de tuyauterie de filtre—un technicien qualifié doit faire l'installation.

Mesures pour réduire les risques associés à l'étouffement :

- **Interdire** l'accès aux petites pièces aux enfants de moins de 3 ans pendant l'installation de ce produit.

Pour réduire le risque associé à la tension dangereuse occasionnée par le perçage d'un fil électrique ou d'une conduite d'eau par l'installateur dans la zone d'installation :

- **Ne pas** installer près d'un fil électrique ou un tuyau pouvant se trouver dans la trajectoire de la perceuse au moment d'installer le support de fixation du filtre.

Pour réduire le risque de blessure :

- Fermer l'admission d'eau et dépressuriser le système comme illustré dans le manuel avant de retirer la cartouche.

AVERTISSEMENT

Pour réduire le risque de blessures aux yeux pendant le perçage du comptoir pour l'installation de la robinetterie :

- Le port de lunettes de sécurité est OBLIGATOIRE pendant les opérations de perçages de trous.

AVERTISSEMENT

Pour réduire le risque associé aux dommages matériels provoqués par une fuite d'eau :

- **Lire et suivre** le mode d'emploi avant l'installation et l'utilisation de ce système.
- L'installation et l'utilisation **DOIVENT** être conformes aux codes de plomberie provinciaux et locaux.
- **Pour une protection contre le gel**, retirer la cartouche filtrante lorsque les températures chutent sous 43,3 °C (110 °F).
- **Ne pas** installer les systèmes dans des zones où la température ambiante est supérieure à 43,3 °C (110 °F).
- **Ne pas installer sur des canalisations d'eau chaude.** La température de service maximale de l'eau de ce système de filtrage est 37,8 °C (100 °F).
- **Ne pas installer** si la pression d'eau est supérieure à 827 kPa (120 psi). Il faudra installer un limiteur de pression d'eau si la pression d'eau est supérieure à 552 kPa (80 psi). Communiquer avec un plombier qualifié si vous êtes incertain de la méthode de vérification pour votre pression d'eau.
- **Ne pas installer** à un endroit sujet aux coups de bélier. Un antibélier doit être installé en présence de coups de bélier. Communiquer avec un plombier qualifié si vous êtes incertain de la méthode de vérification de cette condition.
- Lorsqu'un dispositif de non-retour est installé sur un réseau d'alimentation en eau, un dispositif de pression de commande doit être installé à cause de la dilatation thermique.
- **Ne pas** utiliser de chalumeau ou autres sources élevées de chaleur près du système de filtrage, cartouches, adaptateurs et plomberie en plastique.
- Ne jamais utiliser de produit d'étanchéité ou d'enduit d'enrobage pour tuyau sur les adaptateurs en plastique. Utiliser **uniquement** un ruban de polytétrafluoroéthylène (PTFE) pour filet pour éviter la détérioration du plastique occasionné par l'enduit d'enrobage.
- Utiliser soigneusement les pinces ou les clés à tuyau pour serrer les adaptateurs pour éviter tout dommage occasionné par un serrage excessif.
- **Ne pas** installer directement sous les rayons solaires ou à l'extérieure.
- **Ne pas** installer près d'une conduite d'eau pouvant se trouver dans la trajectoire de la perceuse au moment d'installer le support de fixation du filtre.
- Fixer le système de manière à éviter les chocs provoqués par d'autres articles utilisés dans la zone d'installation.
- S'assurer que l'emplacement et les pièces de fixation supportent le poids du système lorsqu'il est installé et rempli d'eau.
- S'assurer que toute la tuyauterie et les adaptateurs sont sécurisés et exempts de fuites.
- **Ne pas** installer l'appareil sans son collet. Communiquer avec 1-866-990-9785 lorsque l'un des adaptateurs n'est pas doté de son collet.
- METTRE LA SOURCE D'ALIMENTATION OU D'ESSENCE DU CHAUFFE-EAU HORS TENSION après avoir coupé l'eau.
- La cartouche filtrante jetable **DOIT** être remplacée tous les 6 mois tout en respectant le débit nominal ou plus tôt si une diminution perceptible du débit survient.

REMARQUES IMPORTANTES

- Ne pas se conformer à ces directives pourrait annuler la garantie.
- Laisser un espace libre d'au moins 5,1 cm sous le filtre pour faciliter le remplacement de la cartouche.
- Installer avec les orifices d'entrée et de sortie aux endroits indiqués sur l'étiquette. S'assurer de ne pas intervertir les raccordements.

DÉMARRAGE

Pièces et matériel inclus:

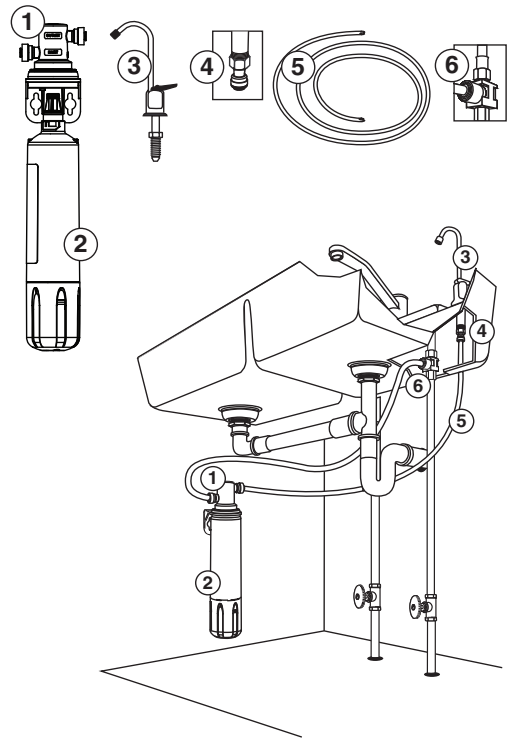
1. Module de tête du filtre
2. Cartouche filtrante
3. Robinet
4. Adaptateur union 1/4 po
5. 91,44 cm (36 po) de tuyau de 1/4 po
6. Adaptateur d'alimentation 1/4 po
7. Vis de fixation à tête cruciforme n°2

Outils nécessaires (non compris):

- Perceuse (sans fil recommandée)
- Clé anglaise réglable
- Tournevis cruciforme Phillips
- Couteau à lame de rasoir ou coupe-tuyau

S'il est nécessaire de percer un trou pour installer le robinet:

- Pointeau
- Lime ou meule
- Mèche de 14,29 mm (9/16 po) convenant au matériau du revêtement de comptoir ou à l'évier de fonte/d'acier inoxydable



REEMPLACEMENT DU FILTRE

AVERTISSEMENT

Pour réduire le risque associé aux dommages matériels provoqués par une fuite d'eau :

- La cartouche filtrante jetable **DOIT** être remplacée tous les 6 mois tout en respectant le débit nominal ou plus tôt si une diminution perceptible du débit survient.

DIRECTIVES D'INSTALLATION

À utiliser uniquement avec de l'eau froide.

REMARQUE : Retirer les articles qui se trouvent sous l'évier. Placer un bassin pour recueillir les légers écoulements d'eau qui peuvent se produire lors du débranchement des conduites d'eau.

1. Couper l'arrivée d'eau froide à la canalisation d'alimentation et retirer le tuyau et/ou le raccord existant.
2. Sélectionner et marquer un emplacement sous l'évier permettant l'accès pour le changement de filtre.
3. En utilisant la tête du filtre et son support comme guide, fixer le module de tête du filtre au mur à l'aide des vis de fixation à tête cruciforme n° 2.

Marquer l'emplacement des trous de manière à ce qu'il y ait 3,81 cm (1 1/2 po) entre les vis (voir figure 1), centre à centre. Une fois l'installation terminée, il doit y avoir un espace libre d'au moins 6,4 cm (2 1/2 po) sous le filtre pour faciliter le remplacement de la cartouche. Installer les vis, mais en les enfonçant seulement à mi-course, afin de pouvoir facilement glisser le support au mur avant de terminer de les visser.

4. Déterminer la longueur de tuyau nécessaire pour relier la tête et le support du filtre au robinet, et de la canalisation d'alimentation en eau à la tête et au support du filtre en tenant le tuyau en place pour s'assurer que la longueur convient. Éviter de plier le tuyau, car cela nuit au débit de l'eau. Si nécessaire, faire une boucle avec le tuyau afin d'éviter de le plier.

Couper le tuyau en ligne droite avec un couteau universel. (Voir figure 2).

5. Localiser la branche d'alimentation en eau froide sous le robinet. Dévisser le tuyau d'alimentation en eau froide de la branche du robinet. Localiser l'adaptateur d'alimentation 1/4 po fourni avec le système d'eau potable. Insérer le joint d'étanchéité noir dans l'adaptateur fileté et visser dans la branche du robinet d'eau froide sous l'évier, en s'assurant que le raccord de 1/4 po est accessible et non face au mur. S'assurer de ne pas trop serrer.

Raccorder le tuyau d'alimentation en eau froide à l'adaptateur du robinet, et prenant bien soin de ne pas trop serrer.

Localiser le tuyau bleu de 1/4 po et l'insérer dans l'adaptateur de robinet de 1/4 po (figure 3). Consulter le schéma « Utilisation de raccords à pousser ».

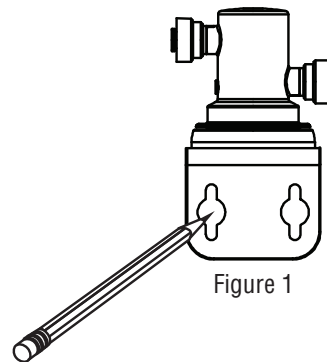


Figure 1



Adéquat Non adéquat

Figure 2

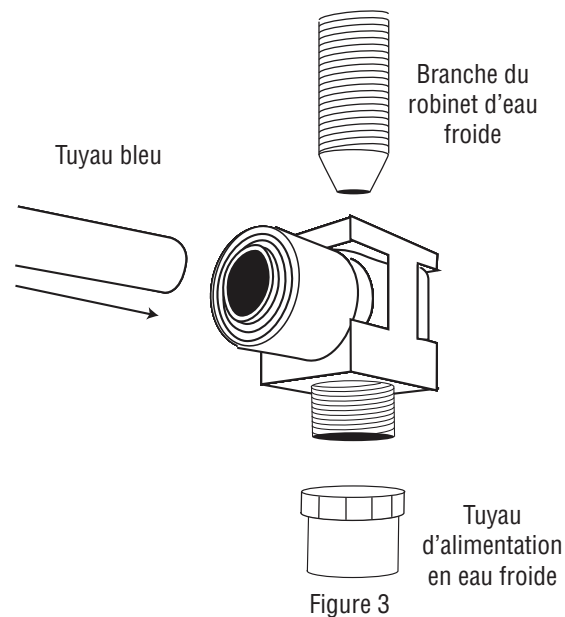


Figure 3

Utilisation de raccords à pousser

Fixation du tuyau

Enfoncer le tuyau aussi profondément que possible. Le tuyau doit être inséré au-delà du joint torique et s'appuyer sur la butée. Tirer sur le tuyau pour s'assurer qu'il est solidement fixé.

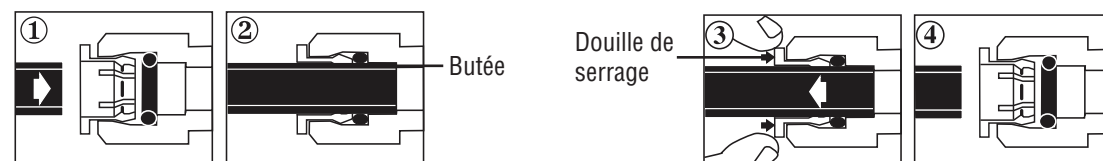
Détachement du tuyau

Pousser la douille de serrage gris pour libérer le tuyau. En tenant la douille de serrage, faire sortir le tuyau en tirant dessus.

AVERTISSEMENT

Pour réduire le risque associé aux dommages matériels provoqués par une fuite d'eau :

- S'assurer que toute la tuyauterie et les adaptateurs sont sécurisés et exempts de fuites.



DIRECTIVES D'INSTALLATION (SUITE)

6. Tel que décrit dans la section « Utilisation de raccordements à pousoir », insérer le tuyau bleu de l'adaptateur d'alimentation de 1/4 po dans le raccord ENTRÉE, tel qu'illustré à la figure 4.
7. Après avoir installé le robinet en suivant les directives détaillées ci-dessous, insérer le tuyau bleu au robinet dans les raccords de SORTIE, tel qu'illustré à la figure 4.
8. Aligner les guides de la nouvelle cartouche avec la tête et insérer la cartouche dans le module de tête. Tourner la cartouche filtrante dans le sens inverse des aiguilles d'une montre jusqu'à ce qu'elle rencontre une résistance (environ 1/4 de tour). Le filtre est maintenant installé. (Voir figure 4).
9. Ouvrir le robinet sur la canalisation principale pour rétablir d'alimentation en eau froide. Cette opération va pressuriser le système de filtrage et enverra de l'eau filtrée vers le robinet. Vérifier s'il y a des fuites. En cas de fuite, consulter le guide de dépannage.
Rincer le système avant utilisation en laissant couler 15 litres (4 gal. É.-U.) d'eau (environ 5 minutes) et permettre à l'air qui pourrait être présent dans le système de sortir.

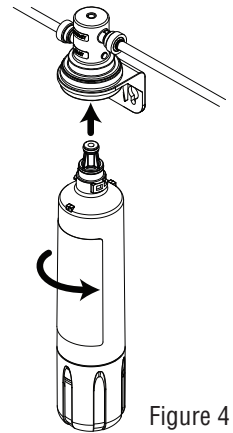


Figure 4

INSTALLATION DU ROBINET D'EAU POTABLE

⚠ AVERTISSEMENT

Pour réduire le risque de blessures aux yeux pendant le perçage du comptoir pour l'installation de la robinetterie :

- Le port de lunettes de sécurité est OBLIGATOIRE pendant les opérations de perçages de trous.

REMARQUES IMPORTANTES

- Le robinet du système d'eau potable doit être installé sur une surface plate située à proximité de l'évier, afin que l'eau se déverse dans l'évier. La plupart des éviers sont munis d'ouvertures déjà taillées pour accueillir les douchettes, distributeurs de savon et autres accessoires. Si votre évier ne comporte pas d'ouverture supplémentaire, il sera nécessaire de percer un trou d'un diamètre de 14,29 mm (9/16 po).
- Il est nécessaire de suivre une procédure spéciale pour percer un trou dans un évier de porcelaine, d'émail ou de céramique. **Voir les directives spéciales à la page suivante.**

Méthode pour percer un trou d'un diamètre de 14,29 mm (9/16 po) à travers un comptoir ou un évier d'acier inoxydable:

1. Déterminer l'endroit à percer. Faire une marque au centre du trou à l'aide du pointeau.
2. Percer un trou de 14,29 mm (9/16 po) à l'aide d'une mèche convenant au matériau du revêtement de comptoir ou à la fonte et l'acier inoxydable.
3. Poncer les arêtes rudes si nécessaire à l'aide d'une lime ou d'une meule.

Installation du robinet:

1. Faire glisser les pièces suivantes, dans l'ordre spécifié, le long du tuyau bleu et de la tige de laiton fileté :
 - a. Base en plastique
 - b. Grosse rondelle de caoutchouc
2. À partir du dessus de l'évier, faire ensuite passer le tuyau bleu et la tige du robinet dans l'orifice d'installation de l'évier.
3. Sous l'évier, assembler la pièce d'espacement noire, la rondelle éventail et l'écrou hexagonal (tel qu'illustré) sur la tige de laiton fileté et resserrer à la main.
4. Au-dessus de l'évier, faire pivoter le robinet vers la droite à l'aide d'une clé réglable coussinée jusqu'à ce qu'il soit solidement fixé. Retirer le morceau de tuyau de plastique de la base.
5. Insérer le cou du robinet dans la base jusqu'à ce qu'il s'y appuie et disposer le bec au-dessus de l'évier.

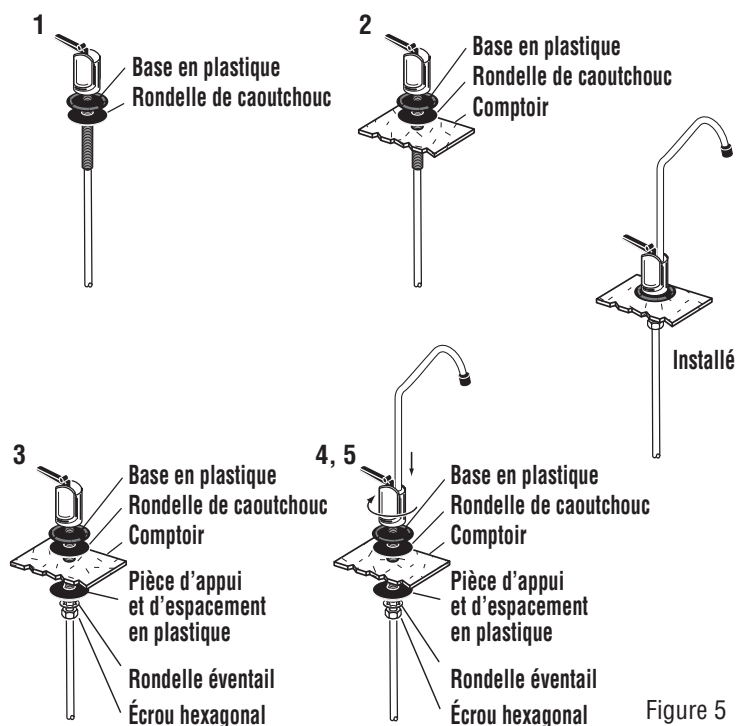


Figure 5

PERÇAGE DES ÉVIERS DE PORCELAINE, D'ÉMAIL OU DE CÉRAMIQUE

⚠ AVERTISSEMENT

Pour réduire le risque de blessures aux yeux pendant le perçage du comptoir pour l'installation de la robinetterie :

- Le port de lunettes de sécurité est OBLIGATOIRE pendant les opérations de perçages de trous.

Méthode pour percer un trou à travers les éviers de porcelaine, d'émail ou de céramique sur une base de métal ou de fonte

Outils recommandés:

- Perceuse à vitesse variable
- Couteau à porcelaine de 14,29 mm (9/16 po)
- Mastic de plombier

Remarque: Il est important de comprendre en quoi consiste cette opération.

1. Premièrement, il faut traverser la couche glacée de porcelaine, d'émail ou de céramique pour y découper une rondelle et atteindre la base de métal.
2. La rondelle de porcelaine doit être retirée au centre tout en empêchant le revêtement de porcelaine tout autour de s'écailler ou de se briser.
3. Il faut ensuite percer la base de métal pour achever le trou.

Méthode:

1. Faire une marque au centre du trou de 14,29 mm (9/16 po).
2. Former un barrage de mastic autour de l'endroit où se trouvera le trou et remplir avec juste assez d'eau pour lubrifier la mèche au carbure.
3. Percer soigneusement, à travers la porcelaine, l'émail ou la céramique et la base de métal, un trou qui servira de guide à l'aide d'une mèche au carbure. Faites toujours fonctionner la perceuse avec une pression faible et à basse vitesse (300-400 tr/min).
4. Percer la porcelaine, l'émail ou la céramique à l'aide du perforateur de 14,29 mm (9/16 po), en vous assurant qu'un anneau complet a bien été percé à travers la porcelaine, l'émail ou la céramique jusqu'à la base de métal.
5. Changer de mèche pour un perforateur à métal et couper le centre de l'ouverture, en vous assurant que le perforateur ne touche pas l'autre bordure du revêtement décoratif. Percer à travers la base de métal de l'évier.

DIRECTIVES DE REMPLACEMENT DE LA CARTOUCHE FILTRANTE

AVERTISSEMENT

Pour réduire le risque associé aux dommages matériels provoqués par une fuite d'eau :

- La cartouche filtrante jetable **DOIT** être remplacée tous les 6 mois tout en respectant le débit nominal ou plus tôt si une diminution perceptible du débit survient.

1. Saisir la cartouche et tourner vers la gauche (dans le sens inverse des aiguilles d'une montre) jusqu'à ce qu'elle ne puisse aller plus loin (l'eau s'arrête automatiquement). Tirer doucement sur la cartouche pour l'enlever.
2. S'assurer que les joints toriques de la cartouche sont bien en place et insérés dans les rainures; humidifier les joints toriques avec de l'eau. NE PAS utiliser de produits à base de pétrole pour lubrifier les joints toriques.
3. Aligner les guides de la nouvelle cartouche filtrante avec la tête et l'insérer dans le module de tête. Tourner la cartouche vers la droite (dans le sens des aiguilles d'une montre), jusqu'à ce qu'elle ne puisse aller plus loin.
4. Ouvrir le robinet d'arrivée d'eau et rincer le système avant utilisation en laissant couler 15 litres (4 gal. É.-U.) d'eau (environ 5 minutes).

PROBLÈMES ET SOLUTIONS

Fuites d'eau se produisant aux raccords à poussoir:

Enfoncer le tuyau aussi profondément que possible. Si la fuite persiste, couper l'eau au robinet d'alimentation principal et retirer la canalisation d'alimentation en poussant sur l'anneau de raccord tout en tirant sur le tuyau. Inspecter le tuyau pour repérer toute fente ou égratignure. Si le tuyau est fendu ou égratigné, couper tout simplement cette portion et réinsérer le tuyau dans le raccordement à poussoir.

S'assurer que le tuyau est coupé bien droit. Sinon, tailler de nouveau.

En cas de fuite, vérifier que le joint torique est bien appuyé dans sa rainure.

L'eau ne s'écoule pas du robinet du système d'eau potable:

S'assurer que la soupape de la canalisation d'alimentation principale est ouverte, permettant à l'eau de se rendre au filtre.

L'eau semble brouillée ou de l'air s'écoule du robinet du système d'eau potable:

Rincer le système avant utilisation en laissant couler 15 litres (4 gal. É.-U.) d'eau (environ 5 minutes) et permettre à l'air qui pourrait être présent dans le système de sortir.

Limited Warranty: 3M Purification Inc. warrants this Product will be free from defects in material and manufacture for one (1) year from the date of purchase. This warranty does not cover failures resulting from abuse, misuse, alteration or damage not caused by 3M or failure to follow installation and use instructions. No warranty is given as to the service life of any filter cartridge or membrane as it will vary with local water conditions and water consumption. 3M MAKES NO OTHER WARRANTIES OR CONDITIONS, EXPRESS OR IMPLIED, INCLUDING, BUT NOT LIMITED TO, ANY IMPLIED WARRANTY OR CONDITION OF MERCHANTABILITY OR FITNESS FOR A PARTICULAR PURPOSE OR ANY IMPLIED WARRANTY OR CONDITION ARISING OUT OF A COURSE OF DEALING, CUSTOMER OR USAGE OF TRADE. If the Product fails to satisfy this Limited Warranty during the warranty period, 3M will replace the Product or refund your Product purchase price. This warranty does not cover labor. **The remedy stated in this paragraph is Customer's sole remedy and 3M's exclusive obligation.**

This warranty gives you specific legal rights, and you may have other rights which may vary from state to state, or country to country. For any warranty questions, please call 203-237-5541 or mail your request to: Warranty Claims, 3M Purification Inc., 400 Research Parkway, Meriden, CT 06450. Proof of purchase (original sales receipt) must accompany the warranty claim, along with a complete description of the Product, model number and alleged defect.

Limitation of Liability: 3M will not be liable for any loss or damage arising from this 3M product, whether direct, indirect, special, incidental, or consequential, regardless of the legal theory asserted, including warranty, contract, negligence or strict liability. Some states and countries do not allow the exclusion of limitation of incidental or consequential damages, so the above limitation or exclusion may not apply to you.



3M Purification Inc.
400 Research Parkway
Meriden, CT 06450, U.S.A.
Tel (800) 222-7880
(203) 237-5541
Fax (203) 238-8701
www.aquapure.com
www.3Mpurification.com

Please recycle. Printed in U.S.A.
3M is a trademark of 3M Company.
Aqua-Pure is a trademark of 3M Company used under license.
© 2011 3M Company. All rights reserved.
INSTR2112 1210