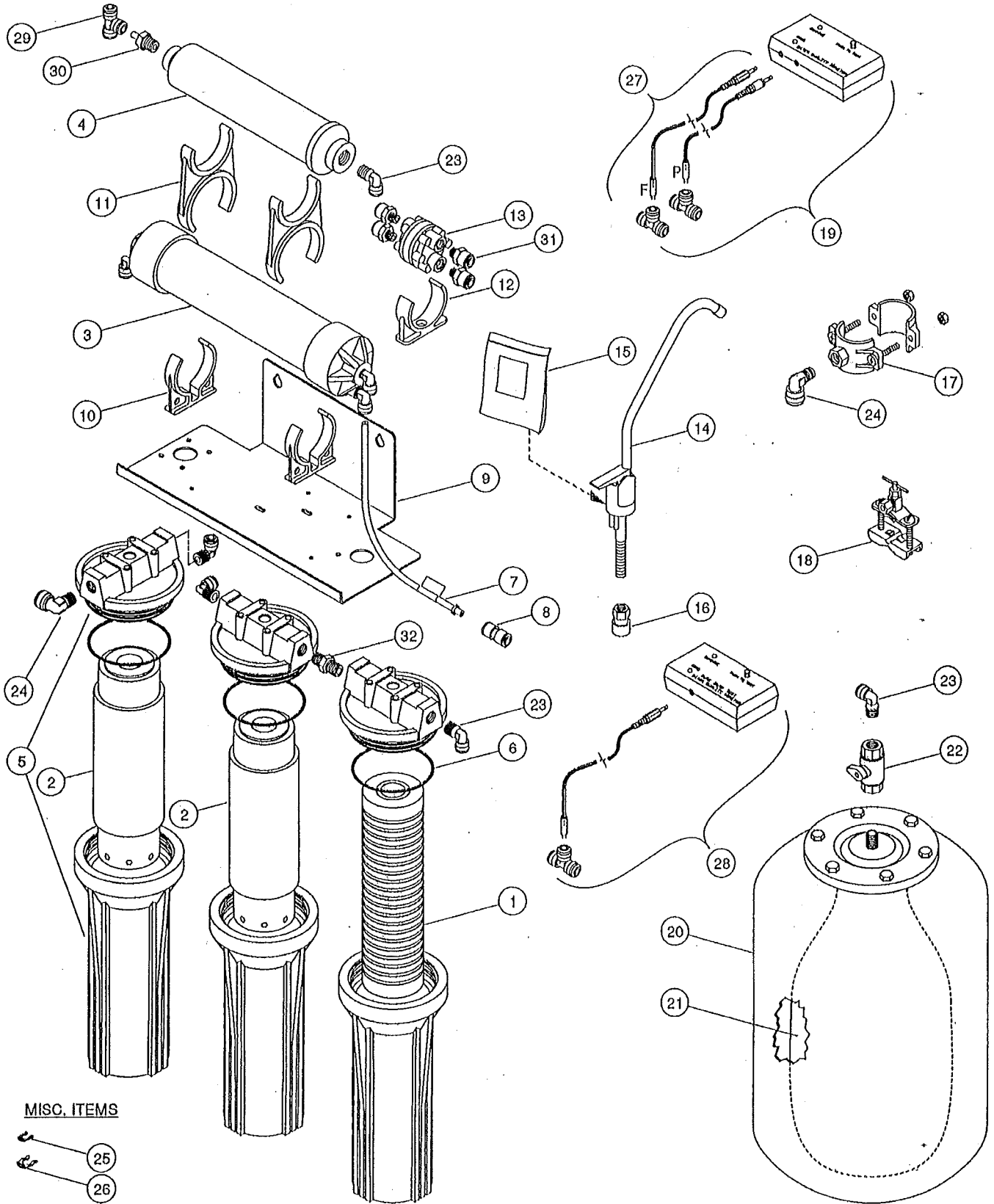


# N5000 TFCM PCF SO

Replacement Parts Diagram

AP R05000  
Breakdown



# N5000 TFCM PCF SO

## Replacement Parts List

<u>ITEM</u>	<u>DESCRIPTION</u>	<u>PART NO.</u>
1	Prefilter, 10" 5 micron	47-1212419
2	Carbon Filter	47-211112
3	Membrane Module, TFCM STD	66-43019
4	Prolonged Contact Filter GAC	47-211212
5	Filter Housing, 10" (complete)	45-1111111
6	O-ring, 10" Filter Housing	41-232237
7	SFC Flow Control, STD	52-3212265
8	Union, 1/4"	74-3310404
9	Bracket, Series 5000	36-3101
10	Clip, 2"	35-415
11	Clip, 1 1/2" x 2"	35-411
12	Clip, 1 1/2"	35-412
13	Shut-Off Valve Assembly	60-9011
14	Faucet, Long Reach Air-Gap	69-11151
15	Faucet Rebuild Kit	69-9111
16	Faucet Adapter, 3/8"	74-3130604
17	Drain Saddle (complete)	61-125
18	Feed Saddle Valve	61-213
19	% Rejection Monitor (PR) w/ Probes	50-121
20	Storage Tank w/ Bladder	52-35134
21	Storage Tank Bladder	56-81340
22	Ball Valve, 1/4"	60-2122
23	Elbow, Male 1/4"	74-3210404
24	Elbow, Male 3/8" x 1/4"	74-3210604
25	Locking Clip, 1/4" Red	74-35304
26	Locking Clip, 3/8" Red	74-35306
27	Probe Replacement Set	28-225
28	TDS Monitor Kit	50-123
29	Union Tee, 1/4"	74-3410404
30	Stem Adapter, 1/4"	74-3350404
31	Connector, Male 1/4" x 1/8"	74-3110402
32	Nipple, Hex 1/4"	74-18504