

SPEC# \_\_\_\_\_

QUANTITY \_\_\_\_\_

application: **WHOLE HOUSE FILTRATION**

models:

## AP902/AP903



**AP902**

3M™ Water Filtration Products Models AP902/AP903 single cartridge whole house water filtration systems help provide consistent high quality water for whole house filtration at peak flow rates up to 20 gpm (75.7 lpm).

- **AP902 System** reduces sediment down to 5 micron nominal, while providing unrestricted flow with 1" NPT connections. This filter is ideal for larger homes and light commercial applications. Includes AP910R replacement cartridge.
- **AP903 System** reduces both sediment and chlorine taste and odor. The AP903 provides unrestricted flow with 1" NPT connections and is ideal for larger homes and light commercial applications. Includes AP917HD\* replacement cartridge.
- **AP917HD-S\* Replacement Cartridge** has been designed for heavy duty sediment reduction (5 micron nominal). At 10 gpm average flow rate, this product performs to 75% efficiency over its life (100,000 gallons) based on manufacturers test protocol for chlorine taste and odor. This cartridge also includes a scale inhibition media to help reduce the potential build-up of hardness scale in water heaters, pipes and water using appliances.

### PRODUCT BENEFITS

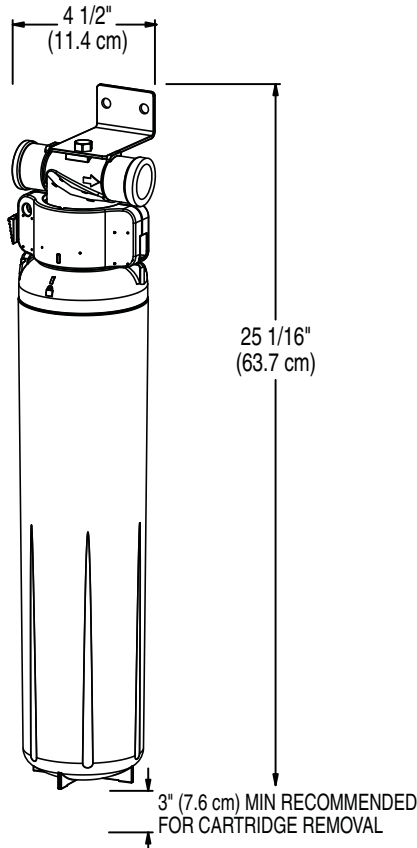
- 304 stainless steel head allows for "sweat in place" installation and is a non-corrosive material.
- 1" inlet and outlet connections for easy installation and high flow rates up to 20 gpm (75.7 lpm).
- Tested and rated to 20 gpm (75.7 lpm) peak flow rate, meeting most residential and light commercial applications.
- Sanitary Quick Change (SQC) design, an industry first for this application, allows for fast and easy cartridge change-outs without the need of a filter wrench.
- Electronic countdown timer refrigerator magnet included in the installation kit to help remind the homeowner when cartridge change-out time is near.
- Manufactured from FDA CFR-21 compliant materials.
- 25 year limited warranty on stainless steel head.

### PRODUCT SPECIFICATIONS

Model Number	Part Number	Reduction Claims	Inlet/Outlet Size	Dimensions (Ht. x Dia.)	Approx. Weight	Peak Flow Rate	Temperature Range	Pressure Range	Degree of Filtration	Replacement Cartridge
AP902 (System)	56211-01	Sediment	1" NPT	25 1/16" x 4 1/2" (63.7 cm x 11.4 cm)	7.0 lbs. (3.2 kg)	20 gpm (75.7 lpm)	40 - 100°F (4.4 - 37.8°C)	25 - 125 psi (172 - 862 kPa)	5 Micron Nominal	AP910R 56210-01
AP903 (System)	56211-02	Sediment, Chlorine Taste and Odor	1" NPT	25 1/16" x 4 1/2" (63.7 cm x 11.4 cm)	7.5 lbs. (3.4 kg)	20 gpm (75.7 lpm)	40 - 100°F (4.4 - 37.8°C)	25 - 125 psi (172 - 862 kPa)	5 Micron Nominal	AP917HD 56210-06
AP917HD-S (Replacement Cartridge)	56210-08	Sediment, Chlorine Taste and Odor, Scale Inhibition	N/A	21" x 4 1/2" (53.3 cm x 11.4 cm)	3.6 lbs (1.63 kg)	N/A	40 - 100°F (4.4 - 37.8°C)	25 - 125 psi (172 - 862 kPa)	5 Micron Nominal	N/A

\* This product is not designed for potable water with precipitating iron, bacteria or chloramine present.

SPEC# \_\_\_\_\_  
 QUANTITY \_\_\_\_\_  
 MODEL NUMBER \_\_\_\_\_  
 PART NUMBER \_\_\_\_\_



**⚠ WARNING:** To reduce the risk associated with the ingestion of contaminants:

- Do not use with water that is microbiologically unsafe or of unknown quality without adequate disinfection before or after the system.

3M Purification Inc. recommends regularly scheduled maintenance and replacement of the filter cartridge(s) in order for the product to perform as advertised/sold. 3M Purification Inc. shall not be liable for system failures due to improper maintenance.

## SPECIFICATIONS

- System includes a head assembly with integral mounting bracket and a single cartridge filter. (AP902 includes AP910R; AP903 includes AP917HD)
- Inlet and outlet plumbing connections are 1" NPT.
- Filter cartridge is o-ring seal type.
- System maximum operating pressure of 125 psi (862 kPa) and operating temperature of 100°F (37.8°C).
- Peak flow rate is up to 20 gpm (75.7 lpm).
- Filter cartridge incorporates a non woven blended pleat media (AP910R).
- Filter cartridge incorporates carbon block filtration with a non woven blended pleat media (AP917HD).
- Filter cartridge incorporates carbon block filtration with a non-woven blended pleat media and a scale inhibition media (AP917HD-S).
- System materials are FDA CFR-21 compliant.
- Cartridges are sanitary in design, requiring no contact with the filter media during cartridge change-out.
- AP910R and AP917HD filter cartridges require no pre-activation.
- AP902 System weight: 7 lbs. (3.2 kg)  
AP903 System weight: 7.5 lbs. (3.4 kg)
- AP910R Cartridge weight: 3 lbs. (1.4 kg)  
AP917HD Cartridge weight: 3.5 lbs (1.6 kg)  
AP917HD-S Cartridge weight: 3.6 lbs (1.63 kg)
- Case quantity: 1 (System or Replacement Cartridge)

## IMPORTANT: INSTALLATION TIPS

These installation tips are for informational purposes only and are not intended to be used as actual installation instructions. **CAUTION:** To reduce the risk associated with property damage due to water leakage:

- Read and follow** Use Instructions before installation and use of this system.
- Installation and use **MUST** comply with all state and local plumbing codes.
- Protect from freezing**, remove filter cartridge when temperatures are expected to drop below 40°F (4.4°C).
- Do not install on hot water supply lines.** The maximum operating water temperature of this filter system is 100°F (37.8°C).
- Do not install** if water pressure exceeds 125 psi (862 kPa). If your water pressure exceeds 80 psi (552 kPa), you must install a pressure limiting valve. Contact a plumbing professional if you are uncertain how to check your water pressure.
- Do not install** where water hammer conditions may occur. If water hammer conditions exist you must install a water hammer arrester. Contact a plumbing professional if you are uncertain how to check for this condition.
- The disposable filter cartridge **MUST** be replaced every 12 months, at the rated capacity or sooner if a noticeable reduction in flow rate occurs.

**Limited Warranty:** 3M Purification Inc. warrants the stainless steel head (excluding disposable filter cartridge(s)) to be free from defects in material and workmanship for twenty-five (25) years from the date of purchase. This warranty does not cover failures resulting from abuse, misuse, alteration or damage not caused by 3M Purification Inc. or failure to follow installation and use instructions. No warranty is given as to the service life of any filter cartridge or membrane as it will vary with local water conditions and water consumption. 3M Purification Inc. MAKES NO OTHER WARRANTIES OR CONDITIONS, EXPRESS OR IMPLIED, INCLUDING, BUT NOT LIMITED TO, ANY IMPLIED WARRANTY OR CONDITION OF MERCHANTABILITY OR FITNESS FOR A PARTICULAR PURPOSE OR ANY IMPLIED WARRANTY OR CONDITION ARISING OUT OF A COURSE OF DEALING, CUSTOMER OR USAGE OF TRADE. If the Product fails to satisfy this Limited Warranty during the warranty period, 3M Purification Inc. will replace the Product or refund your Product purchase price. This warranty does not cover labor. **The remedy stated in this paragraph is Customer's sole remedy and 3M Purification Inc.'s exclusive obligation. For additional information, see the entire Limited Warranty located in the product Installation and Operating Instruction Manual.**

**Limitation of Liability.** 3M Purification Inc. will not be liable for any loss or damage arising from this 3M Purification Inc. product, whether direct, indirect, special, incidental, or consequential, regardless of the legal theory asserted, including warranty, contract, negligence or strict liability. Some states and countries do not allow the exclusion or limitation of incidental or consequential damages, so the above limitation or exclusion may not apply to you.



3M Purification Inc.  
 400 Research Parkway  
 Meriden, CT 06450 U.S.A.  
 Toll Free: 1.800.222.7880  
 Worldwide: 203.237.5541  
 Fax: 203.238.8701  
 www.3Mpurification.com

3M is a trademark of 3M Company.  
 NSF is a trademark of NSF International.  
 © 2011 3M Company. All rights reserved.  
 70-0202-0255-5  
 REV 0511



COMPONENT

The AP910R, AP917HD and AP917HD-S cartridges are tested and certified by NSF International against NSF/ANSI Standard 42 for material and structural integrity requirements only.