

Aqua-Pure®

Models:

SS EPE-316L Series

Whole House Water Filters

Spec # _____

Quantity _____

Applications:

- Sediment / Rust
- Chlorine Taste & Odor

At a Glance:

- Electropolish premium exterior finish
- For hot and cold water applications
- 1-1/2" NPT to 3" 150# flanged pipe size
- Provides flow rates up to 288 gpm (1,090 lpm)

SS8 EPE-316L



SS4 EPE-316L

SS12 EPE-316L

Product Benefits:

- Heavy-duty 316L (low carbon) stainless steel head and housing rated to 150 psi (1,034 kPa)
- Accommodates a variety of cartridge sizes and options from 9-3/4" - 40"
- Electropolish exterior finish provides mirror-like finish and highest level of resistance to corrosion
- Manufactured from FDA CFR-21 compliant materials
- High flow design up to 288 gpm (1,090 lpm) and temperature rating up to 250°F (121°C) to meet multiple application requirements for residential to light commercial/industrial

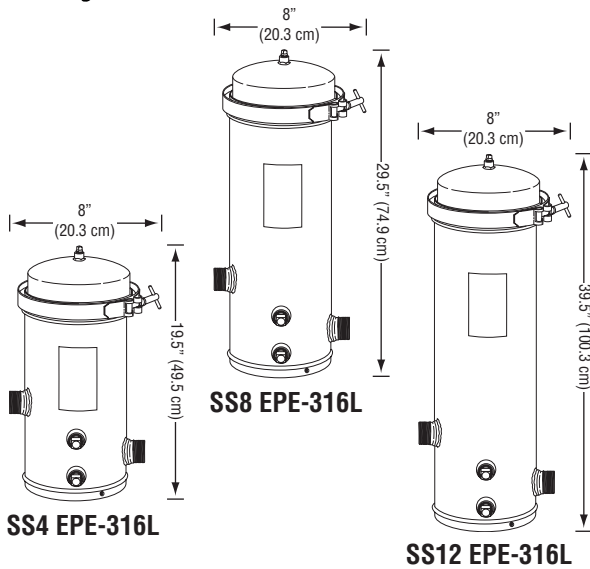
Product Specifications:

Model No. (Part No.)	Pipe Size	Dimensions		Maximum Pressure	Replacement Ctg. No.	Replacement Ctg. Qty.	Flow Rate*					
		Length	Diameter				AP110	AP124	AP117	APS117	AP420	
SS4 EPE-316L (55278-13)	1-1/2" NPT Male	19-1/2" (49.5 cm)	8" (20.3 cm)	150 psi (1,034 kPa)	AP110 AP124 AP117 APS117 AP420	4	32 gpm (121.1 lpm)	32 gpm (121.1 lpm)	12 gpm (45.4 lpm)	12 gpm (45.4 lpm)	32 gpm (121.1 lpm)	
SS8 EPE-316L (55278-14)	2" NPT Male	29-1/2" (74.9 cm)	8" (20.3 cm)				8	64 gpm (242.3 lpm)	64 gpm (242.3 lpm)	24 gpm (90.8 lpm)	24 gpm (90.8 lpm)	64 gpm (242.3 lpm)
SS12 EPE-316L (55278-15)	2" NPT Male	39-1/2" (100.3 cm)	8" (20.3 cm)					12	96 gpm (363.4 lpm)	96 gpm (363.4 lpm)	36 gpm (136.3 lpm)	36 gpm (136.3 lpm)
SS20 EPE-316L (55007-03)	2" NPT Male	49-1/2" (125.7 cm)	8" (20.3 cm)		20	160 gpm (605.7 lpm)	160 gpm (605.7 lpm)		-	-	-	
SS24 EPE-316L (55008-10)	3" - 150# Flange	40-9/16" (103 cm)	12" (30.5 cm)			24	192 gpm (726.8 lpm)		192 gpm (726.8 lpm)	-	-	-
SS36 EPE-316L (55008-11)	3" - 150# Flange	50-7/16" (128.1 cm)	12" (30.5 cm)		36		288 gpm (1,090 lpm)	288 gpm (1,090 lpm)	-	-	-	

* Flow rate is based on a maximum velocity of 8ft./sec as required by National Standard Plumbing Code for water piping systems. At a velocity of 10 ft./sec these values can be increased by 25%.
Note: Filter life will be greater with the 25 and 50 micron cartridges.



Aqua-Pure®



Spec #

Quantity

Model Number

Part Number

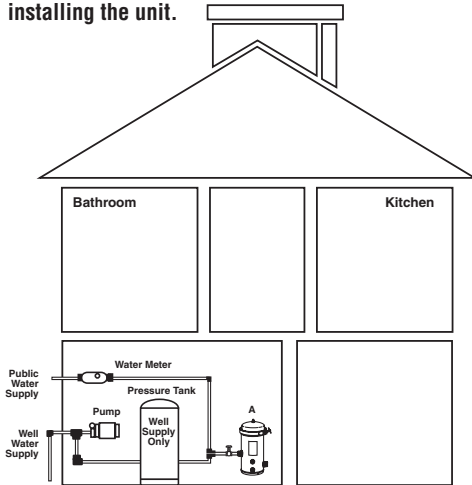
Physical Specifications:

- 1-1/2" NPT to 3" 150# flanged pipe size
- System is manufactured from FDA CFR-21 compliant materials
- System has a maximum operating pressure of 150 psi (1,034 kPa) and operating temperature of 250°F (121°C)

SS4 EPE-316L	SS8 EPE-316L	SS12 EPE-316L	SS20 EPE-316L	SS24 EPE-316L	SS36 EPE-316L
AP110 (Qty. 4)	AP110 (Qty. 8)	AP110 (Qty. 12)	AP110 (Qty. 20)	AP110 (Qty. 24)	AP110 (Qty. 36)
AP124 (Qty. 4)	AP124 (Qty. 8)	AP124 (Qty. 12)	AP124 (Qty. 20)	AP124 (Qty. 24)	AP124 (Qty. 36)
AP117 (Qty. 4)	AP117 (Qty. 8)	AP117 (Qty. 12)	AP117 (Qty. 20)	AP117 (Qty. 24)	AP117 (Qty. 36)
APS117 (Qty. 4)	APS117 (Qty. 8)	APS117 (Qty. 12)	-	-	-
AP420 (Qty. 4)	AP420 (Qty. 8)	AP420 (Qty. 12)	-	-	-
AP017 (Qty. 4)	AP017 (Qty. 8)	AP017 (Qty. 12)	AP017 (Qty. 20)	AP017 (Qty. 24)	AP017 (Qty. 36)

Easy Installation:

CAUTION: Diagram shown is for reference purposes only. Read installation and operation manual prior to installing the unit.



WARNING: Do not use with water that is microbiologically unsafe or of unknown quality without adequate disinfection before or after the system.

CUNO Incorporated recommends regularly scheduled maintenance and replacement of the filter cartridge(s) in order for the product to perform as advertised/sold. **Change the filter cartridge at least every 6 months. Improper installation and maintenance may result in property damage due to water leakage.**

Limited Warranty:

CUNO Incorporated warrants this Product (excluding disposable filter cartridge(s)) to be free from defects in material and workmanship for ten (10) years from the date of purchase. The disposable filter cartridge is warranted from defects in material and workmanship for a period of one (1) year from the date of purchase. This warranty does not cover failures resulting from abuse, misuse, alteration or damage not caused by CUNO or failure to follow installation and use instructions. If the Product is defective CUNO will replace the Product or refund your Product purchase price. CUNO will not be liable for any indirect, special, incidental, or consequential damages arising from the use of this Product. Some states do not allow the exclusion or limitation of incidental or consequential damages, so the above limitation may not apply to you. To obtain warranty service, mail your request to Warranty Claims, CUNO Incorporated, 400 Research Parkway, Meriden, CT 06450. Proof of purchase (original sales receipt) must accompany the warranty claim, along with a complete description of the Product, model number and alleged defect. This warranty gives you specific legal rights and you may have other rights which vary from state to state, or country to country.

Distributed by:



CUNO Incorporated
400 Research Parkway
Meriden, CT 06450 U.S.A.
Toll Free: 1.800.222.7880
Worldwide: 203.237.5541
Fax: 203.238.8701