

# Aqua-Pure®

## Models:

**AP-DWS1000 / AP-DWS1000LF**

**Drinking Water System**

Spec # \_\_\_\_\_

Quantity \_\_\_\_\_

### Applications:

- Chlorine Taste & Odor
- Sediment / Rust
- Lead
- VOCs
- Parasitic Protozoan Cysts
- MTBE

### At a Glance:

- Advanced dual stage carbon block filtration system
- Exclusive quick change filter cartridges
- 1/4" inlet/outlet connections



**AP-DWS1000**



**AP-DWS1000LF**

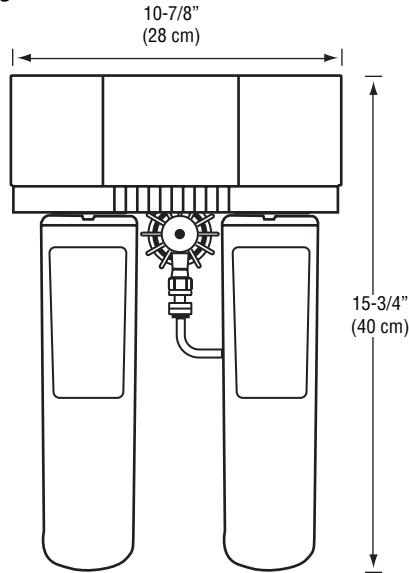
### Product Benefits:

- Designed with built-in automatic shut-off meter that automatically shuts off the system after 625 gallons (2,366 liters) as a reminder to change cartridges
- Exclusive sanitary quick change cartridge design to help provide fast and easy cartridge change with minimal effort
- Manufactured from FDA CFR-21 compliant materials
- Installation hardware, faucet (AP-DWS1000 only) and pipe connections included for easy installation
- Complete installation manual is enclosed for easy reference and simple installation

### Product Specifications:

Model No. (Part No.)	Inlet/ Outlet Size	Dimensions (H x W x D)	Flow Rate	Capacity	Max. Water Temp.	Max. Water Pressure	Degree of Filtration	Std. Replacement Ctg. No.
AP-DWS1000 (5583101)	1/4"	15-3/4" x 10-7/8" x 3-1/4" (40 cm x 28 cm x 8 cm)	0.6 gpm (2.3 lpm)	625 gallons (2,366 liters)	100°F (37.8°C)	125 psi (862 kPa)	0.5 Micron Nominal	AP-DW80/90 (5585102) set of two
AP-DWS1000LF (5583103)								

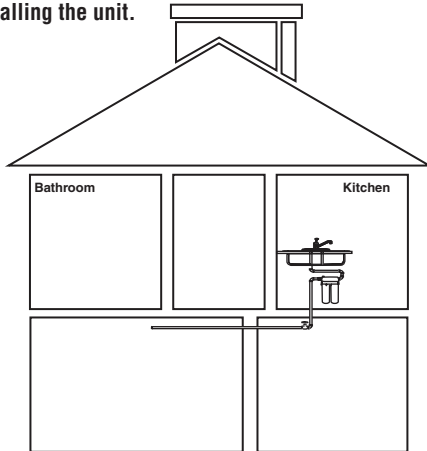
# Aqua-Pure®



AP-DWS1000 (faucet not shown) /  
AP-DWS1000LF

## Easy Installation:

**CAUTION:** Diagram shown is for reference purposes only. Read installation and operation manual prior to installing the unit.



Spec # \_\_\_\_\_

Quantity \_\_\_\_\_

Model Number \_\_\_\_\_

Part Number \_\_\_\_\_

## Physical Specifications:

- 1/4" inlet/outlet tubing
- System is manufactured from FDA CFR-21 compliant materials
- System has a maximum operating pressure of 125 psi (862 kPa) and operating temperature of 100°F (37.8°C)
- Systems include hardware, faucet (AP-DWS1000 only) and pipe connections
- System to be installed on primary kitchen cold water line

### Replacement Cartridge Options

Model	Nominal Micron Rating	Applications	Flow Rate
		Sediment/Rust, Chlorine Taste & Odor, Lead, VOCs, Parasitic Protozoan Cysts and MTBE	
AP-DW80/90	0.5	•	0.6 gpm (2.3 lpm)

**WARNING:** Do not use with water that is microbiologically unsafe or of unknown quality without adequate disinfection before or after the system. The contaminants or other substances removed or reduced by this water filter are not necessarily in all users water. Systems certified for cyst reduction may be used on disinfected water that may contain filterable cysts.

EPA Establishment Number 070595-CT-001

CUNO Incorporated recommends regularly scheduled maintenance and replacement of the filter cartridge(s) in order for the product to perform as advertised/sold. **Change the filter cartridge at least every 6 months. Improper installation and maintenance may result in property damage due to water leakage.**

## Limited Warranty:

CUNO Incorporated warrants this Product to be free from defects in material and workmanship for one (1) year from the date of purchase. This warranty does not cover failures resulting from abuse, misuse, alteration or damage not caused by CUNO or failure to follow installation and use instructions. If the Product is defective CUNO will replace the Product or refund your Product purchase price. CUNO will not be liable for any indirect, special, incidental, or consequential damages arising from the use of this Product. Some states do not allow the exclusion or limitation of incidental or consequential damages, so the above limitation may not apply to you. To obtain warranty service, mail your request to Warranty Claims, CUNO Incorporated, 400 Research Parkway, Meriden, CT 06450. Proof of purchase (original sales receipt) must accompany the warranty claim, along with a complete description of the Product, model number and alleged defect. This warranty gives you specific legal rights and you may have other rights which vary from state to state, or country to country.

Distributed by:

CUNO and Aqua-Pure are trademarks of 3M Company used under license. NSF is a trademark of NSF International. © 2007 3M Company. All rights reserved. LITAPDWS 0907



Visit [www.nsf.org](http://www.nsf.org) for the claims associated with products that are NSF listed.



**CUNO Incorporated**  
400 Research Parkway  
Meriden, CT 06450 U.S.A.  
Toll Free: 1.800.222.7880  
Worldwide: 203.237.5541  
Fax: 203.238.8701  
[www.aquapure.com](http://www.aquapure.com) • [www.cuno.com](http://www.cuno.com)