



## 3M™ Pro Reverse Osmosis Drinking Water System

### APPLICATION: Superior Reverse Osmosis Drinking Water<sup>1</sup>

Drinking and hydration • Hot and cold beverages • Cooking and food preparation • Pet hydration • Aquatic aquariums



Optimized For Reduction Of Nitrates & Select Volatile Organic Compounds (VOCs)!\*

**MODEL: 3MR0501**

The 3M™ Pro Reverse Osmosis Drinking Water Filtration System helps provide cleaner, better tasting water through reverse osmosis filtration. The 3MR0501 offers multi-stage filtration, incorporating separate sediment and chlorine taste & odor filters for excellent membrane module protection, a sanitary, encapsulated reverse osmosis membrane, a carbon block post-filter for superior flow from a dedicated faucet and a high-pressure booster pump for increased and more consistent production.

The 3M system's 110 VAC booster pump delivers a consistent driving pressure of 100 psi regardless of the regular feed pressure coming into a home, dramatically increasing production levels with the ability to deliver up to 36.78 gallons of clean, great-tasting water per day.†

### PRODUCT BENEFITS:

- Reduces Sediment, Chlorine Taste & Odor, Cysts, Arsenic, Barium, Cadmium, Chromium (Hex), Chromium (Tri), Copper, Fluoride, Lead, Radium, Selenium, select Volatile Organic Compounds (VOCs), Nitrates, Turbidity and Total Dissolved Solids (TDS)\*.
- System includes compact booster pump design, which can be installed centrally in a home with lines run to multiple faucets and appliances.
- Electronic pressure switch provides more water in the storage tank at a higher delivery pressure than traditional, non booster pump systems.
- Installs under the sink for dedicated drinking and cooking water use.
- 5 micron sediment/carbon pre-filter for optimal sediment holding capacity.
- Reverse osmosis membrane module capable of producing up to 36.78 gallons (139.23 liters) per day of clean, fresh water every 24 hours.†
- 10 micron nominal carbon block post-filter to provide satisfying flow from faucet.
- Sanitary quick change (SQC) design, allows for fast and easy, 1/4 turn replacement filter change-outs without the need of a filter wrench.
- System designed for both chlorinated and non-chlorinated municipal or well systems.
- Helps conserve water (compared to systems without an auto shut off), shutting system down when storage tank is full and automatically turns on to refill tank.

### PRODUCT SPECIFICATIONS:

| Model/Part Number | Reduction Claims   | Dimensions (H x W x D)                                | Approx. Weight       | Daily Production Rate†    | Service Flow Rate    | Temperature Range            | Pressure Range                  | Replacement Filters                          |
|-------------------|--|---|----------------------|---------------------------|----------------------|------------------------------|---------------------------------|--|
| 3MR0501           | Sediment, Chlorine Taste & Odor, Cysts, Arsenic, Barium, Cadmium, Chromium (Hex), Chromium (Tri), Copper, Fluoride, Lead, Radium, Selenium, Select VOCs (Carbofuran, Toxaphene, p-Dichlorobenzene and o-Dichlorobenzene), Nitrates, Turbidity and Total Dissolved Solids (TDS).* | 16.1" x 10.9" x 7.3"<br>(40.9 cm x 27.7 cm x 18.5 cm) | 11.5 lbs<br>(5.2 kg) | 36.78 gpd<br>(139.23 lpd) | 0.6 gpm<br>(2.3 lpm) | 40 - 100°F<br>(4.4 - 37.8°C) | 40 - 100 psi<br>(276 - 689 kPa) | 3MR0P411<br>3MR0P412<br>3MR0M413<br>3MR0P416 |

<sup>1</sup> Compared to the 3MR0401 reverse osmosis system, which produces up to 18.95 gpd.

\* See Performance Data Sheet for additional details.

† Nominal production rate of membrane when running to atmosphere (i.e., with empty tank) at 77° F and 50 PSI is 36.78 gpd (139.23 lpd). Production varies based on pressure (fullness) of storage tank.

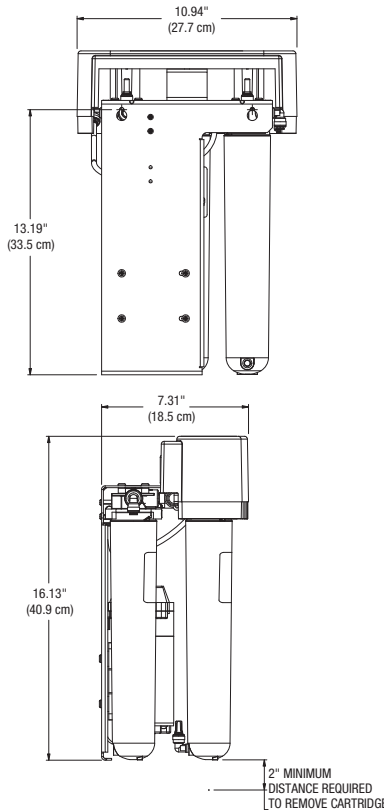
To obtain additional information please call our Customer Care team at 855-3M-WATER or visit our website at [www.3MWater.com](http://www.3MWater.com)

## INSTALLATION DIFFICULTY



Skills Needed: (Please refer to installation difficulty chart on website for additional information)

- Professional installation recommended.



<sup>1</sup> Compared to the 3MR0401 reverse osmosis system, which produces up to 18.95 gpd.

\* See Performance Data Sheet for additional details.

† Nominal production rate of membrane when running to atmosphere (i.e., with empty tank) at 77° F and 50 PSI is 36.78 gpd (139.23 lpd). Production varies based on pressure (fullness) of storage tank.

## LIMITED WARRANTY

3M Purification Inc. warrants this Product will be free from defects in material and manufacture for the following periods from the date of purchase: Twelve (12) year for the Product, except for the booster pump and electronics, which are warranted for two (2) years, and the replacement filter cartridges and membrane, which are warranted for one (1) year. This warranty does not cover failures resulting from abuse, misuse, alteration or damage not caused by 3M Purification Inc. or failure to follow installation and use instructions. No warranty is given as to the service life of any filter cartridge or membrane as it will vary with local water conditions and water consumption. **3M PURIFICATION INC. MAKES NO OTHER WARRANTIES OR CONDITIONS, EXPRESS OR IMPLIED, INCLUDING, BUT NOT LIMITED TO, ANY IMPLIED WARRANTY OR CONDITION OF MERCHANTABILITY OR FITNESS FOR A PARTICULAR PURPOSE OR ANY IMPLIED WARRANTY OR CONDITION ARISING OUT OF A COURSE OF DEALING, CUSTOMER OR USAGE OF TRADE.** If the Product fails to satisfy this Limited Warranty during the warranty period, 3M Purification Inc. will replace the Product or refund your Product purchase price. This warranty does not cover labor. **The remedy stated in this paragraph is Customer's sole remedy and 3M Purification Inc.'s exclusive obligation. For additional information, see the entire Limited Warranty located in the product Installation and Operating Instruction Manual.**

**Limitation of Liability.** 3M Purification Inc. will not be liable for any loss or damage arising from this 3M Purification Inc. product, whether direct, indirect, special, incidental, or consequential, regardless of the legal theory asserted, including warranty, contract, negligence or strict liability. Some states and countries do not allow the exclusion or limitation of incidental or consequential damages, so the above limitation or exclusion may not apply to you.

## SPECIFICATIONS

- System includes a tank, faucet, sediment filter, granulated carbon filter, membrane module and a carbon block post-filter.
- System maximum operating pressure of 100 psi (689 kPa) and operating temperature of 100°F (37.8°C).
- Daily production rate up to 36.78 gpd (139.23 lpd)<sup>†</sup>, service flow rate of 0.6 gpm (2.3 lpm).
- System is NSF Standards 42, 53 and 58 certified\*.
- Replacement filters are sanitary in design, requiring no contact with the filter media during filter change-out.
- System Efficiency: 13.06% Efficiency rating means the percentage of the influent water to the system that is available to the user as reverse osmosis treated water under operating conditions that approximate typical daily usage.

## IMPORTANT

**⚠ WARNING:** To reduce the risk associated with the ingestion of contaminants:

- Do not use with water that is microbiologically unsafe or of unknown quality without adequate disinfection before or after the system. Systems certified for cyst reduction may be used on disinfected water that may contain filterable cysts. EPA Establishment # 070595-CT-001

**NOTICE:** To reduce the risk associated with property damage due to water leakage or flooding:

- Read and follow all Instructions before installation and use of this system.
- Do not install if water pressure exceeds 100 psi (690 kPa). If your water pressure exceeds 80 psi (552 kPa), you must install a pressure limiting valve. Contact a plumbing professional if you are uncertain how to check your water pressure.

**To reduce the risk of water leakage or flooding, and to ensure optimal filter performance:**

- Change the disposable filter cartridge every 12 months or sooner if you observe a noticeable reduction in water flow rate.
- Change the disposable filter membrane every 36 months or sooner if you observe a noticeable reduction in water flow rate.
- Failure to replace the disposable filter cartridge at recommended intervals may lead to reduced filter performance and cracks in the filter housing, causing water leakage or flooding.
- For questions or concerns, please contact Customer Service at 1-855-3M-WATER.

3M Purification Inc. recommends regularly scheduled maintenance and replacement of the filters in order for the product to perform as advertised. 3M Purification Inc. shall not be liable for system failures due to improper maintenance.

### 3M Innovation

#### Inventing Tomorrow

Innovation—the art and science of applying creativity to develop practical and novel solutions—has been our hallmark for more than a century. It's more than a way of developing products. Innovation is part of our DNA. At 3M Purification, we apply that spirit of innovation through every day conveniences that improve your style of life.



System tested and certified by NSF International against NSF/ANSI Standard 42, 53 and 58 for the reduction of claims specified on the Performance Data Sheet.

